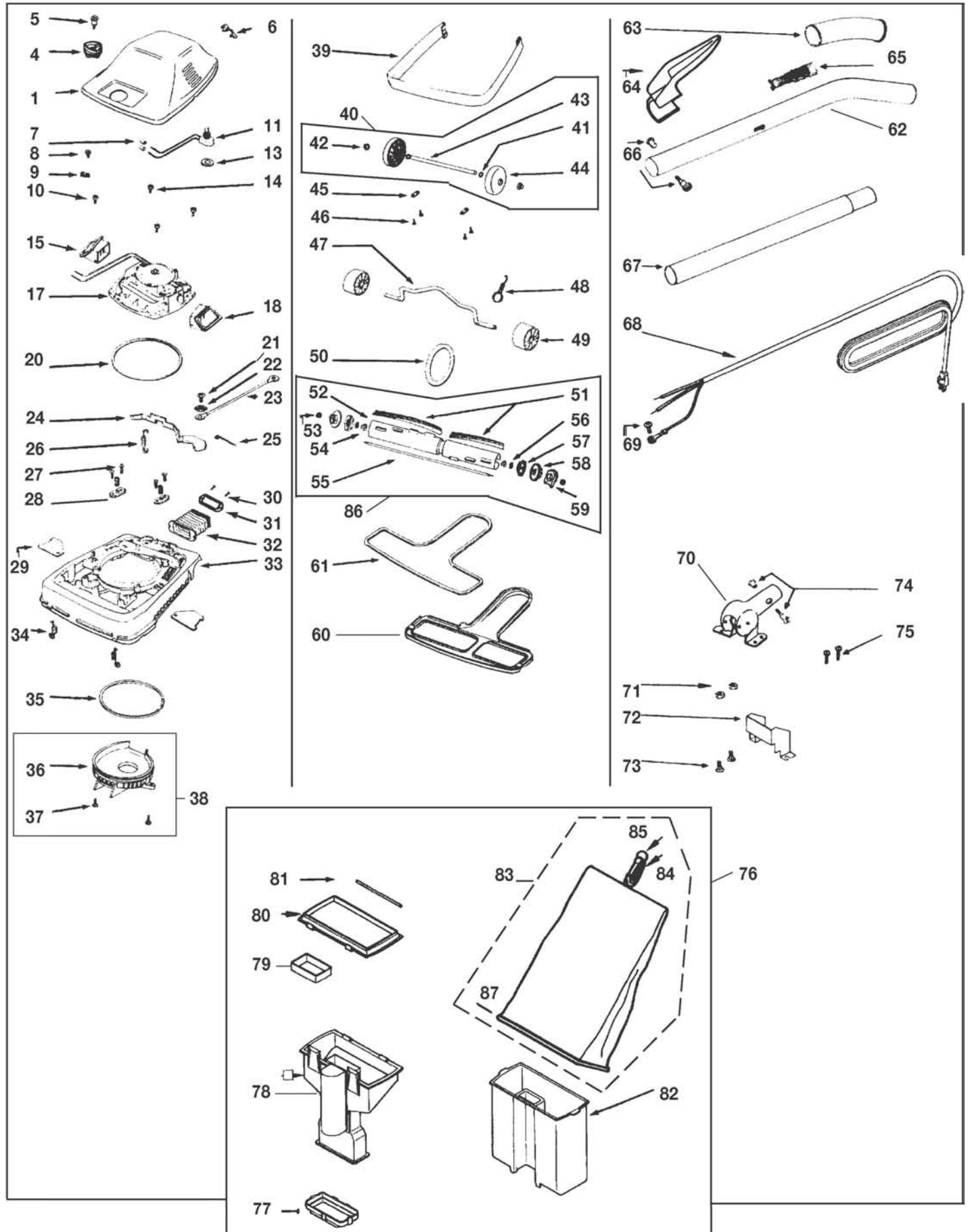


# EUREKA Original & Replacement

SANITAIRE Model SC887A



# Original & Replacement EUREKA

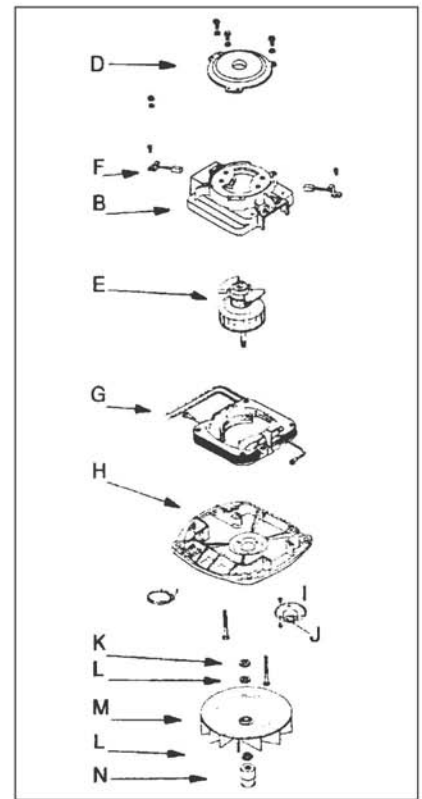
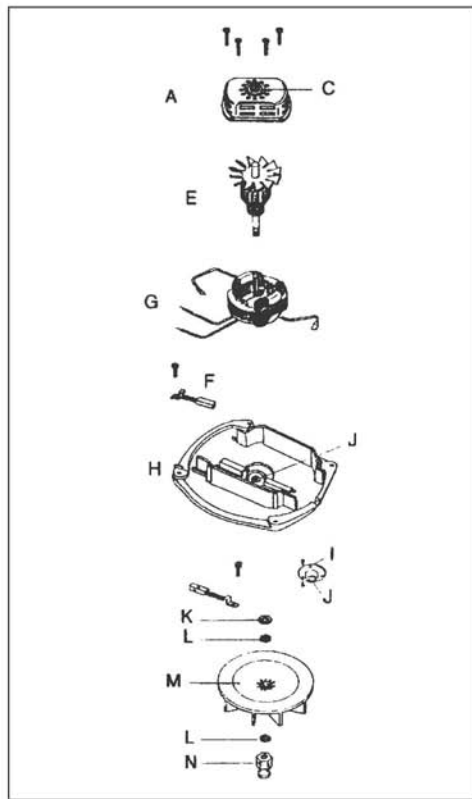
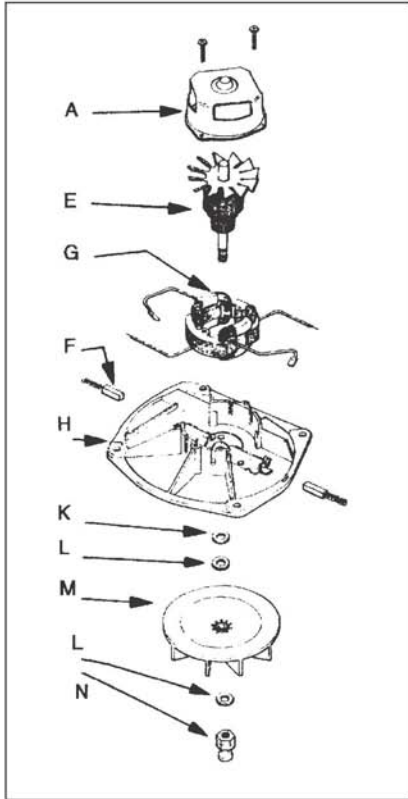
## SANITAIRE Model Sc887A

KEY	PART NO.	DESCRIPTION	KEY	PART NO.	DESCRIPTION
1	E-54097-2	Hood & Nameplate Ass'y	46	E-53238-11	Screw
2	E-37654	Nameplate (Not Illustrated)	47	E-35947A	Front Axle
3	E-55754	Decal (Not Illustrated)	48	E-53076-2	Axle Spring
4	E-26833-1	Adjustment Knob	49	E-35859A-1	Front Wheel
5	E-53143	Shoulder Screw	50	E-30563	Belt
6	E-53122	Strain Relief Bushing	50	ER-1000	Belt (ESScO)
7	E-53214-1	Wire Nut	50	ER-1010	Belt
7	SS-3270	Wire Nut	51	E-52282-4	*Bristle Strip Pair
8	E-53228-2	Screw	51	ER-2210	Brush Strip Pair
9	E-53160	Cable Clamp	52	E-13236-1	*Disturbulator Tube
10	E-53238-13	Screw	53	E-53158	*Lock Nut
11	E-36409-13	Push Switch	54	E-53184	*Klipring
11	FA-3400	Push Switch	55	E-25937	*Shaft
12	E-55446	Switch Nut (Not Illustrated)	56	E-49899	*Felt Washer
13	E-53102	Washer	57	E-53079	*Bearing Retainer
14	E-53238-17	Screw	58	E-26057A	*Disturbulator Cap
15	E-56379	Air Inlet Duct Ass'y R.H.	59	E-26059A	*Cap Cover
16	E-59052-3	Foam Tape (Not Illustrated)	60	E-25922-1	Bottom Plate Ass'y**
17	E-53366-8	Motor Ass'y	61	E-46538	**Foam Tape
18	E-56380	Air Inlet Duct Ass'y L.H.	62	E-25329-35	Upper Handle Ass'y Includes*
19	E-49052-3	Foam Tape (Not Illustrated)	63	E-35293-6	*Handle Grip
20	E-30517	Motor Mounting Gasket	63	NLA	Handle Grip Red
20	ER-7600	Motor Mounting Gasket	64	E-14766-2	Cord Retainer
21	E-53228-2	Screw	65	E-53077	Spring
22	E-53213-4	Nut	66	E-53198-1	Screw & Nut Ass'y
23	E-54177	Wire & Terminal	66	ER-7700	Screw & Nut Ass'y
24	E-24841-1	Foot Pedal	67	E-57751-2	Lower Handle Tube
24	ER-7300	Foot Pedal	68	E-52370-12	Cord, 50' 3 Wire
25	E-54173-1	Wire & Terminal	68	ER-3050-1	cord, 50' 3 Wire Beige
26	E-53097	Foot Pedal Spring	68	ER-3050-3	cord, 50' 3 Wire Black
27	E-53238-17	Clamp Screw	69	E-53228-2	Screw
28	E-53140	Clamp & Screw Ass'y	70	E-38183-1	Handle Socket Ass'y
29	E-36263	Wheel Cover	70	ER-7000	Handle Socket Ass'y
30	E-53228-7	Screw	71	E-53213-5	Nut
31	E-38288-1	** Clamp	72	E-36439	Handle Socket Shield
32	E-14763-1	** Bellows	73	E-53145	Bolt
33	E-53425-10	Base Ass'y*	74	E-53198-1	Screw & Nut Ass'y
	E-24964A	Cam R.H. (Not Illustrated)	74	ER-7700	Screw & Nut Ass'y
	E-24965A	Cam L.H. (Not Illustrated)	75	E-53238-13	Screw
	E-53118	Rivet-Cam (Not Illustrated)	76	E-14844-1	Dirt Cup Ass'y**
	E-53133	Washer (Not Illustrated)	77	E-26266-2	**Clamp
34	E-53117	Hood Spring	78	E-01958-1	**Dirt Cup Support
34	ER-7705	Hood Spring	79	E-38289	**Gasket
35	E-30517	Motor Seal Gasket	80	E-14765-1	**Bag Flange
35	ER-7600	Motor Seal Gasket	81	E-55399-1	**Cover Pin
36	E-13770-1	*Quick-Clean Fan Chamber Cover Clear	82	E-01959-1	**Dirt Cup
36	ER-7510	Quick-Glean Fan chamber cover clear	83	E-14771-1	**Bag Ass'y
37	E-53238-17	*Screw	84	E-57686-1	**Snap Hook
38	E-52334	*Fan Chamber Replacement Kit Includes*	85	E-57711	**Steel Ring
39	E-26296-9	Furniture Guard	86	E-53350-1	Brushroll, Wood Hex End
39	ER-7400	Furniture Guard	86	E-53272	Brushroll, VGI Hex End
40	E-37234-1	Wheel & Axle Ass'y Includes**	86	E-53270	Brushroll Hex End VGII* W/Ball Bearings
41	E-53110	**Wheel Washer			Brushroll Hex End VGII* W/Ball Bearings
42	E-53121	**Pushnut	86	ER-2002	Brushroll, Wood Hex End
43	E-37183	**Rear Axle	86	ER-2004	Brushroll, Wood All Bristle Hex End
44	E-26242-1	**Rear Wheel	87	E-57684	Bag Gasket, Foam
45	E-53201	Axle Clamp			

# Original & Replacement

# EUREKA

## Upright Motor Schematics



	<b>1400 Series</b>
	4.0 Amp Ball/Sleeve 1-Speed
MOTOR ASS'Y	E-53349-4
A Motor Cover w/Bearing	E-54172
B Motor Cover Less Bearing	
C Top Bearing (Ball)	
D Top Bearing Retainer	
E Armature Ass'y	NLA
F Carbon Brush Ass'y	E-25172A1
G Field Ass'y	NLA
H Motor Base Ass'y	E-54171-1
I Lower Bearing Kit	
J Lower Bearing Only	
K Washer (Metal)	E-53188-1
L Fan Washer (Fiber)	E-49017
M Fan	E-12988-1 <b>ER-2800</b>
N Fan Pulley	E-37012
Cooling Fan	
Motor Cover Screw	E-53131-1
SSHBfe^ Carbon Brush Screw	

<b>2000 &amp; 7000 Series, Ultra &amp; Sanitaires</b>			
5.5 Amp Ball/Sleeve 1-Speed	5.0 Amp Ball/Ball 1-Speed	6.5 Amp Ball/Ball 1-Speed	6.5 Amp Ball/Ball 2-Speed
E-53361-5	E-53361-5	E-53361-1	NLA
E-25863	E-25863		
		E-13746-1	E-13746-1
E-53088-1 <b>FA-6200</b>	E-53088-1 <b>FA-6200</b>	E-53088-1 <b>FA-6200</b>	E-53088-1 <b>FA-6200</b>
NLA	NLA	NLA	NLA
E-26055	E-26055	E-26055	E-26055
NLA	NLA	E-53480-1	NLA
NLA	NLA	NLA	NLA
E-54412 <b>ER-6210</b>	E-54412 <b>ER-6210</b>	E-54412 <b>ER-6210</b>	E-54412 <b>ER-6210</b>
E-53088-1 <b>FA-6200</b>	E-53088-1 <b>FA-6200</b>	E-53088-1 <b>FA-6200</b>	E-53088-1 <b>FA-6200</b>
E-53188-1	E-53188-1	E-53188-1	E-53188-1
E-49017	E-49017	E-49017	E-49017
E-12988-1 <b>ER-2800</b>	E-12988-1 <b>ER-2800</b>	E-12988-1 <b>ER-2800</b>	E-12988-1 <b>ER-2800</b>
NLA	E-53084	NLA	NLA
NLA	NLA	NLA	NLA
E-53131-2	E-53131-2	E-53131-2	E-53131-2
E-53192	E-53192	E-53192	E-53192

<b>2000 Series Sanitaires</b>	<b>5000 Series Self-Propelled</b>	
6.5/7 Amp Ball/Ball 1-Speed	5.7 Amp Ball/Ball 1-Speed	6.7 Amp Ball/Ball 2-Speed
E-53366-8	E-53390-7	NLA
E-54159	E-54159	E-54159
E-53088-1 <b>FA-6200</b>	E-53088-1 <b>FA-6200</b>	E-53088-1 <b>FA-6200</b>
E-20217E	E-20217E	E-20217E
E-53353-3	E-54425-1	NLA
E-30478 <b>ER-6310</b>	E-30478 <b>ER-6310</b>	E-30478 <b>ER-6310</b>
E-53441-2	NLA	NLA
E-54169-1	NLA	NLA
E-54412 <b>ER-6210</b>	E-54412 <b>ER-6210</b>	E-54412 <b>ER-6210</b>
E-53088-1 <b>FA-6200</b>	E-53088-1 <b>FA-6200</b>	E-53088-1 <b>FA-6200</b>
E-53188-1	E-53188-1	E-53188-1
E-49017	E-49017	E-49017
E-12988 <b>ER-2805</b>	E-12988 <b>ER-2805</b>	E-12988 <b>ER-2805</b>
E-37012	E-53165	E-53165
E-30474A	E-30474A	E-30474A
E-53138	E-53138	E-53138
E-53192-2	E-53192-2	E-53192-2