



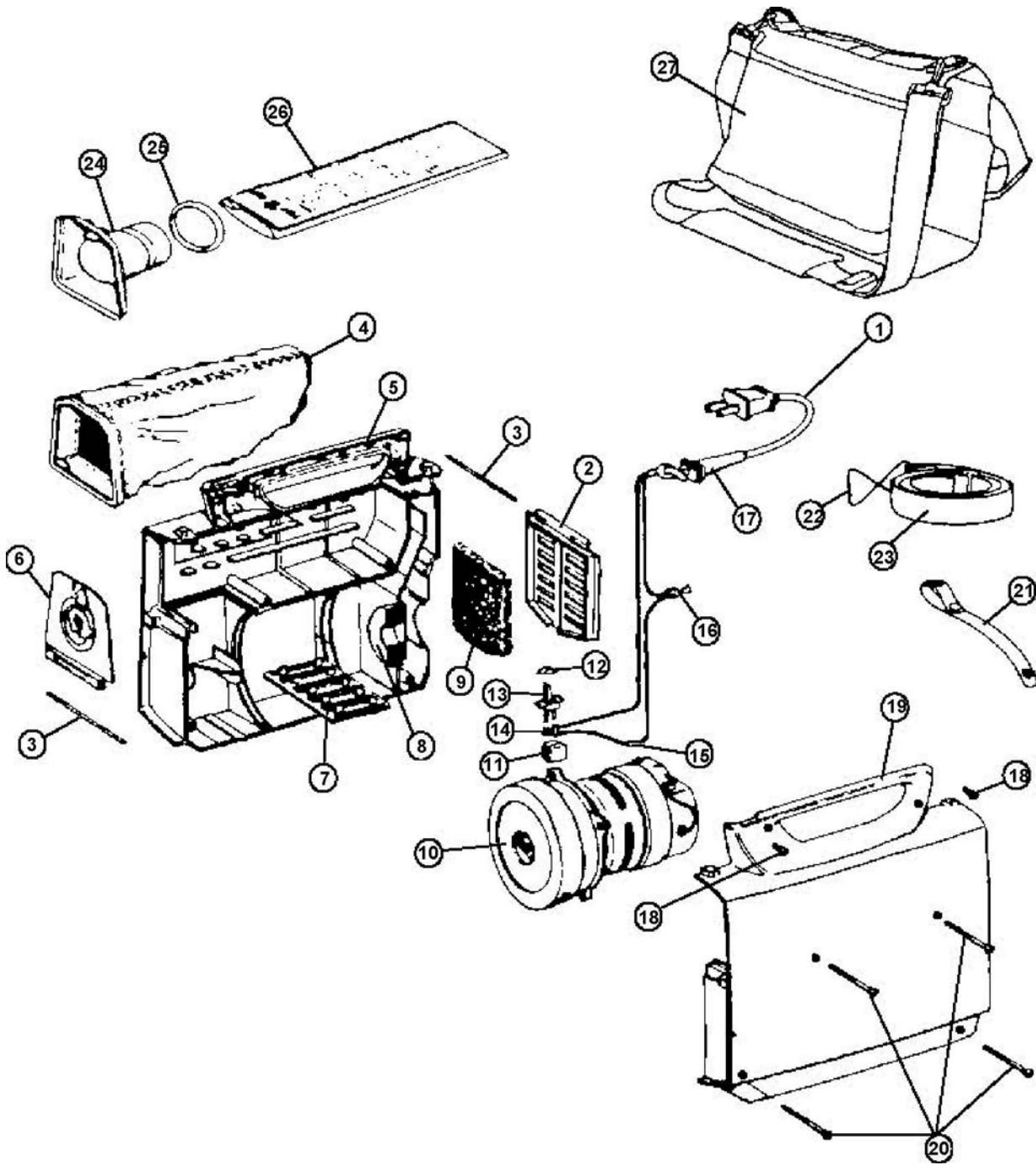
Portapower™

ASSEMBLY SCHEMATIC

MODEL NO.

C2094

CH30000





PART LISTING

ITEM	PART NUMBER	MODELS TO FIT	PART DESCRIPTION
1	46383258	C2094, CH30000	POWER CORD
2	162059AG	C2094, CH30000	DIFFUSER DOOR
3	162062AY	C2094, CH30000	HINGE PIN
4	43662023	C2094, CH30000	CLOTH BAG ASSEMBLY - SHAKEOUT
5	42222164	C2094	HOUSING - RIGHT BLACK
	42222158	C2094	HOUSING - RIGHT ORANGE CAN BE USED AS SUB
	59156690	CH30000	HOUSING - RIGHT
6	42227039	C2094, CH30000	BAG DOOR
7	162083JM	C2094, CH30000	SECONDARY FILTER
8	33712005	C2094	PRESSURE PAD
	59156688	CH30000	PRESSURE PAD
9	34366001	C2094, CH30000	DIFFUSER
10	43177042	C2094	MOTOR ASSEMBLY
	59156687	C2094	MOTOR ADAPTOR KIT - <i>WHEN 43177042 IS NLA</i> ALSO NEED TO ORDER MOTOR 59135400
	59135400	CH30000	MOTOR ASSEMBLY
11	37922002	C2094, CH30000	THERMINAL SHIELD
12	38421012	C2094, CH30000	SWITCH BUTTON
13	28177006	C2094, CH30000	SWITCH
14	27666702	C2094, CH30000	SWITCH TERMINAL
15	59135401	CH30000	MOTOR TERMINAL
16	012227--	C2094, CH30000	WIRE TERMINAL
17	36215015	C2094, CH30000	CORD PROTECTOR - BLACK
18	21447043	C2094, CH30000	SCREW
19	37223111	C2094	HOUSING - LEFT
	59156689	CH30000	HOUSING - LEFT
20	21479573	C2094	SCREW
	59156694	CH30000	SCREW - M4 X 18 X 70mm
21	48615012	C2094, CH30000	CORD STORAGE STRAP
22	33153002	C2094, CH30000	STRAP HOOK
23	48615001	C2094, CH30000	CARRYING STRAP ASSEMBLY
24	38663010	C2094, CH30000	DISPOSABLE BAG SUPPORT TUBE
25	046550AG	C2094, CH30000	RUBBER RING
26	4010038N	C2094, CH30000	TYPE N PAPER BAG - 5 PACK
	4010050N	C2094, CH30000	PAPER BAG ADAPTOR KIT - ADAPTOR WITH FIVE PAPER BAGS
27	CH01005	CH30000	PORTAPACK - CARRYING WRAP

MODEL NO.

C2094

CH30000



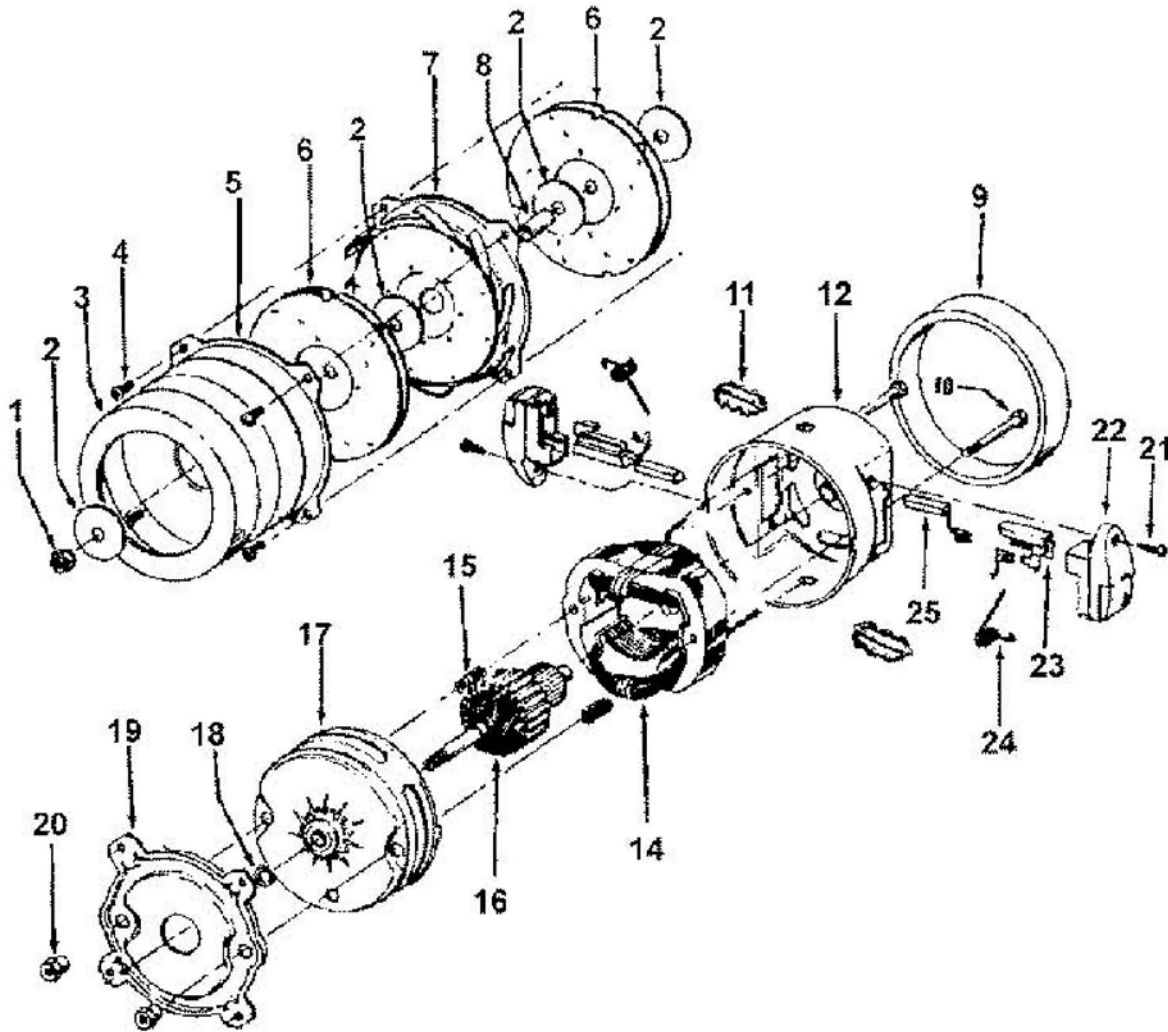
Portapower™

ASSEMBLY SCHEMATIC

MODEL NO.

C2094

CH30000





PART LISTING

MODEL NO.

C2094
CH30000

ITEM	PART NUMBER	MODELS TO FIT	PART DESCRIPTION
1	33426001	c2094	NUT
2	21312701	c2094	WASHER
3	31328002	c2094	MOTOR MOUNT
	562666001	CH30000	MOTOR MOUNT
4	21434224	c2094	SCREW
5	37191016	C2094	OUTERSTAGE HOUSING
6	43566007	C2094	FAN
7	43551005	C2094	INNERSTAGE ASSEMBLY
8	31742010	C2094	FAN SPACER
9	31178007	C2094	MOTOR GASKET
	562676001	CH30000	MOTOR GASKET
10	33421004	C2094	FIELD LAMINATION BOLT
11	169702BZ	C2094	WIRE PROTECT BUSHING
12	42937003	C2094	UPPER MOTOR HOUSING
14	45311035	C2094	FIELD COIL ASSEMBLY - 1.7
	45311051	C2094	FIELD COIL ASSEMBLY - 2.2
15	167721FW	C2094	SPRING
16	44765171	C2094	ARMATURE ASSEMBLY COMPLETE
17	37191085	C2094	LOWER MOTOR HOUSING
18	31148002	C2094	SPACER
19	36322002	C2094	INTERSTAGE MOUNTING PLATE
20	167695EF	C2094	NUT
21	21429406	C2094	SCREW
22	167696AG	C2094	BRUSH HOUSING
	47318008	C2094	BRUSH CARRIER ASSEMBLY
23		C2094	BRUSH HOLDER
24	38353004	C2094	SPRING
25	167681--	C2094	CARBON BRUSH AND TERMINAL
	40309053	CH30000	CARBON BRUSH AND TERMINAL * PLEASE NOTE: MODIFICATION OF THE MOTOR IS REQUIRED TO INSTALL. THE SHUNT WILL NEED TO BE RE-CRIMPED ONTO THE FIELD WIRE, AND THE CAN NEEDS MODIFIED TO CLEAR INSERTING THE NEW BRUSH (FILLED OR CUT DOWN)

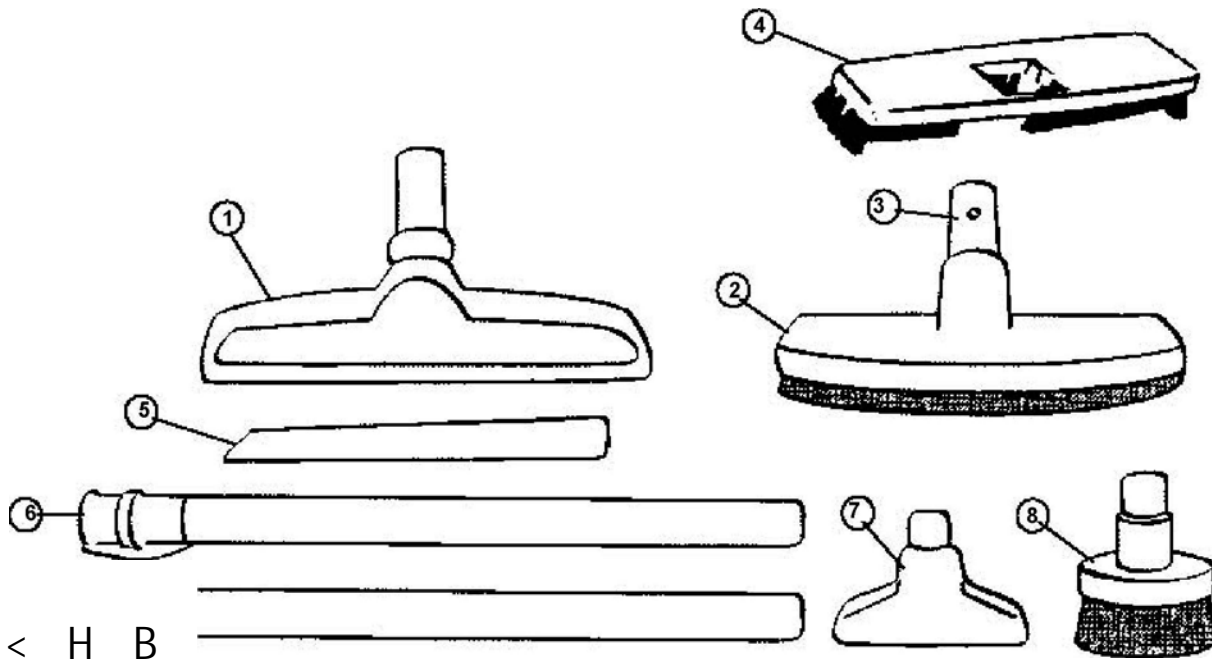


ASSEMBLY SCHEMATIC

MODEL NO.

C2094

CH30000



< H B

t p i -	1	<i>m</i> !	i t	' i i »	1 i i - l
---------	---	------------	-----	---------	-----------



Portapower™

PART LISTING

MODEL NO.

ITEM	PART NUMBER	MODELS TO FIT	PART DESCRIPTION
1	4341401P	C2094, CH30000	RUG / FLOOR NOZZLE
2	43414073	C2094, CH30000	FLOOR BRUSH
3	38644020	C2094, CH30000	SWIVEL CONNECTOR
4	48447001	C2094, CH30000	BRUSH BACK
5	38617017	C2094, CH30000	CREVICE TOOL - 7" black
6	43453027	C2094, CH30000	EXTENSION TUBE ASSEMBLY
7	43414057	C2094, CH30000	FURNITURE NOZZLE - BLACK
8	43414064	C2094, CH30000	DUSTING BRUSH
9	43434239	C2094, CH30000	HOSE ASSEMBLY COMPLETE - 5.5"
10	38656042	C2094, CH30000	HOSE CONNECTOR
11	36153009	C2094, CH30000	LATCH RING

C2094
CH30000