

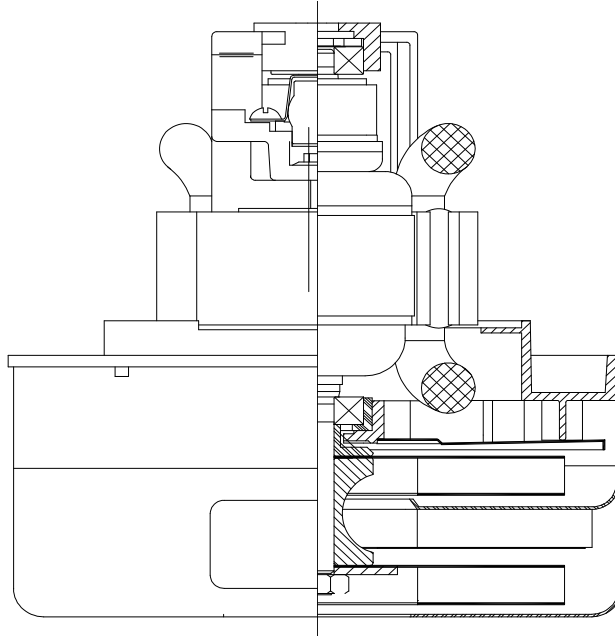


DESCRIPTION

- Two stage
- 120 volts
- 5.7"/145 mm diameter
- Double ball bearings
- Single speed
- Thru-flow discharge
- Aluminum fan end bracket
- Aluminum commutator bracket

DESIGN APPLICATION

- Equipment operating in environments not requiring separation of working air from motor ventilating air
- Designed to handle clean, dry, filtered air only



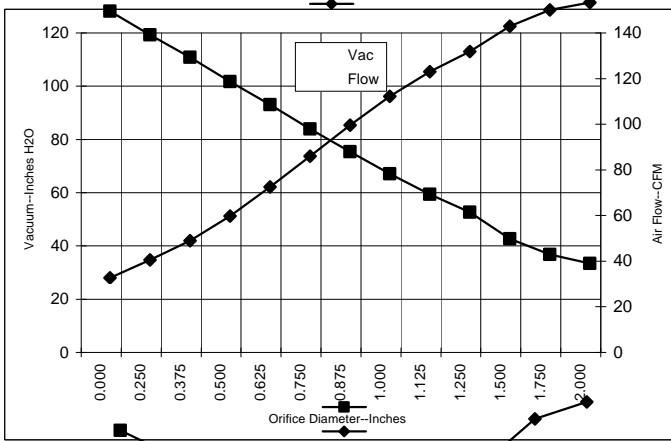
SPECIAL FEATURES

- Suitable for 120 volt AC operation, 60 Hz
- UL recognized, category PRGY2 (E47185)
- CSA certified, class 1611 01 (LR31393)
- Provision for grounding
- Skeleton-frame construction
- The Lamb Electric vacuum motor line offers a wide range of performance levels to meet design needs

TYPICAL MOTOR PERFORMANCE

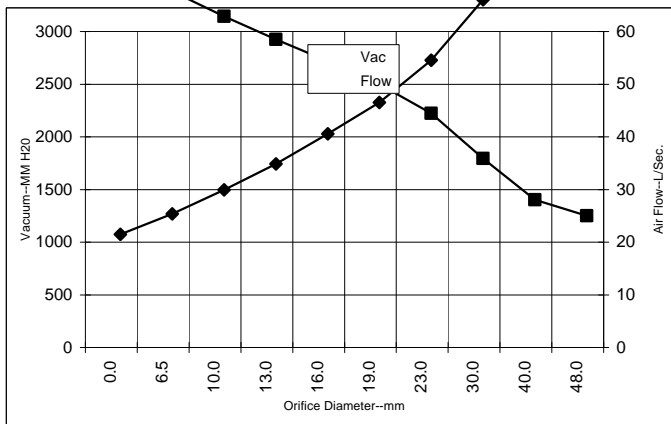
(At 120 volts, 60Hz, test data is corrected to standard conditions of 29.92 Hg, 68° F.)

ASTM DATA



Orifice (Inches)	Amps	Watts (In)	RPM	Vac (In.H2O)	Flow (CFM)	Air Watts
2.000	10.1	1154	18640	5.4	120.7	77
1.750	10.2	1158	18640	8.8	117.5	122
1.500	10.3	1164	18640	14.7	110.2	191
1.250	10.2	1164	18640	24.7	99.2	288
1.125	10.1	1149	18640	31.4	90.4	334
1.000	9.9	1124	19020	39.0	79.5	365
0.875	9.5	1079	19410	47.3	67.0	373
0.750	8.9	1020	19990	55.9	53.3	351
0.625	8.2	944	20750	65.1	39.9	305
0.500	7.5	863	21930	73.7	27.1	235
0.375	6.7	779	23100	82.8	16.2	158
0.250	6.1	706	24460	91.2	7.9	85
0.000	5.6	650	25630	100.2	0.0	0

METRIC DATA



Orifice (mm)	Amps	Watts (In)	RPM	Vac (mm H2O)	Flow (L/Sec)	Air Watts
48.0	10.2	1156	18640	175	56.3	96
40.0	10.2	1162	18640	329	53.1	170
30.0	10.2	1156	18640	720	44.5	313
23.0	9.6	1090	19313	1150	33.1	371
19.0	8.9	1018	20005	1425	25.0	350
16.0	8.3	947	20720	1644	19.1	307
13.0	7.6	871	21812	1850	13.4	242
10.0	6.8	792	22925	2068	8.4	170
6.5	6.1	710	24392	2307	3.9	88
0.0	5.6	650	25630	2545	0.0	0

Note: Metric Performance data is calculated from the ASTM data above.

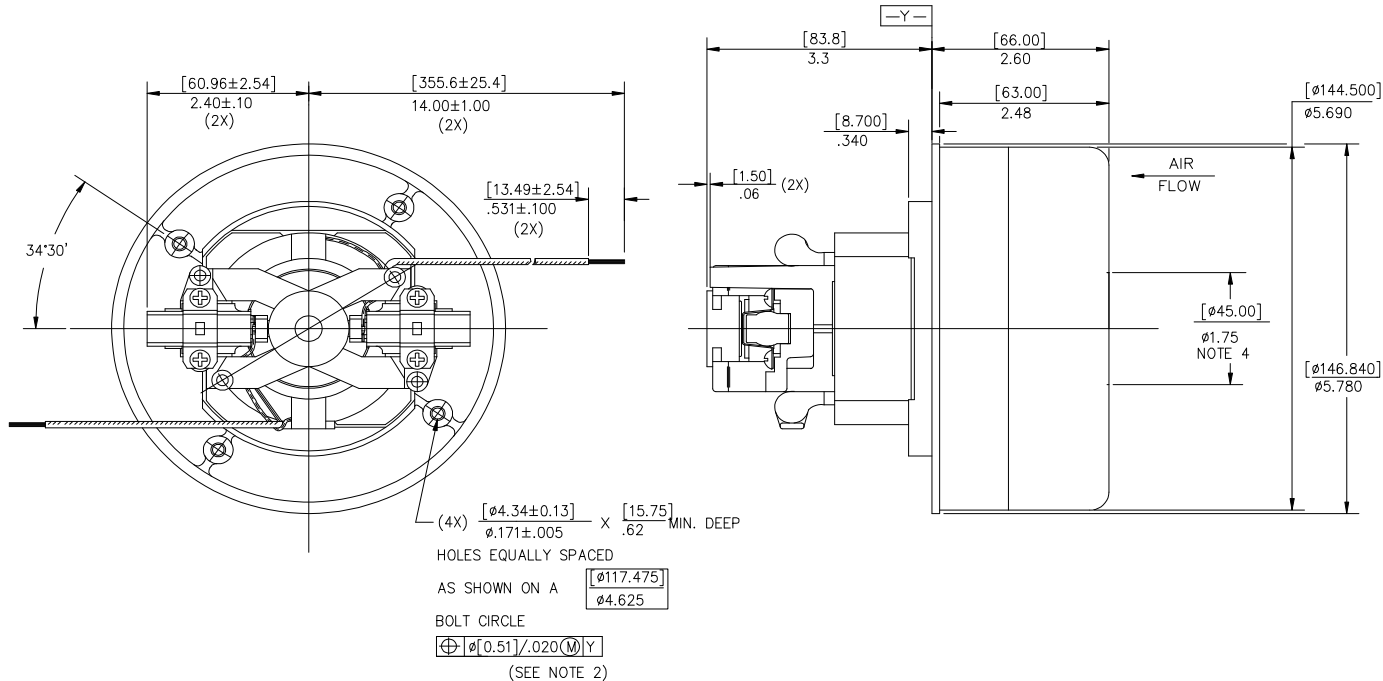
* Data represents performance of a typical motor sampled from a large production quantity. Individual motor data may vary due to normal manufacturing variations.

Test Specs: 120 volts	Minimum Sealed Vacuum:	ORIFICE: 7/8 "	Minimum Vacuum: 41.0	Maximum Watts: 1170
------------------------------	-------------------------------	-----------------------	-----------------------------	----------------------------

DIMENSIONS

NOTES:

1. LEADS: 18GA STRANDED, LEADS CAN BE ANY COLOR EXCEPT GREEN OR GREEN WITH YELLOW STRIPE.
2. GROUNDING OR EARTHING PROVISIONS: USE HOLES AS INDICATED FOR GROUNDING OR EARTHING.
REFER TO APPROPRIATE LISTING OR REGULATORY AGENCY FOR PROPER METHOD OF GROUNDING OR EARTHING.
3. MOTOR IDENTIFICATION: MANUFACTURER'S NAME, MODEL NUMBER, VOLTAGE, FREQUENCY, INSPECTORS CODE,
DATE OF MANUFACTURE, AGENCY RECOGNITION CODE, PLANT LOCATION CODE AND COUNTRY OF ORIGIN.
4. MOUNTING MUST NOT RESTRICT THIS DIAMETER.



IMPORTANT NOTE: Pictorial and dimensional data are subject to change without notice. Contact factory for current revision levels.

WARNING - AMETEK Lamb Electric thru-flow vacuum motors must never be used in applications in which wet or moist conditions are involved, where dry chemicals or other volatile materials are present, or where airflow may be restricted or blocked. Such motors are designed to permit the vacuumed air to pass over the electrical winding to cool it. Thus any foam, liquid (including water), dry chemical, or other foreign substance coming in contact with electrical conductors could cause combustion (depending on volatility) or electrical shock. Failure to observe these precautions could result in property damage and severe personal injury, including death in extreme cases. All applications incorporating Lamb Electric motors should be submitted to Underwriters Laboratories Inc. or other appropriate organizations or agencies for testing specifically related to the safety of your equipment.