



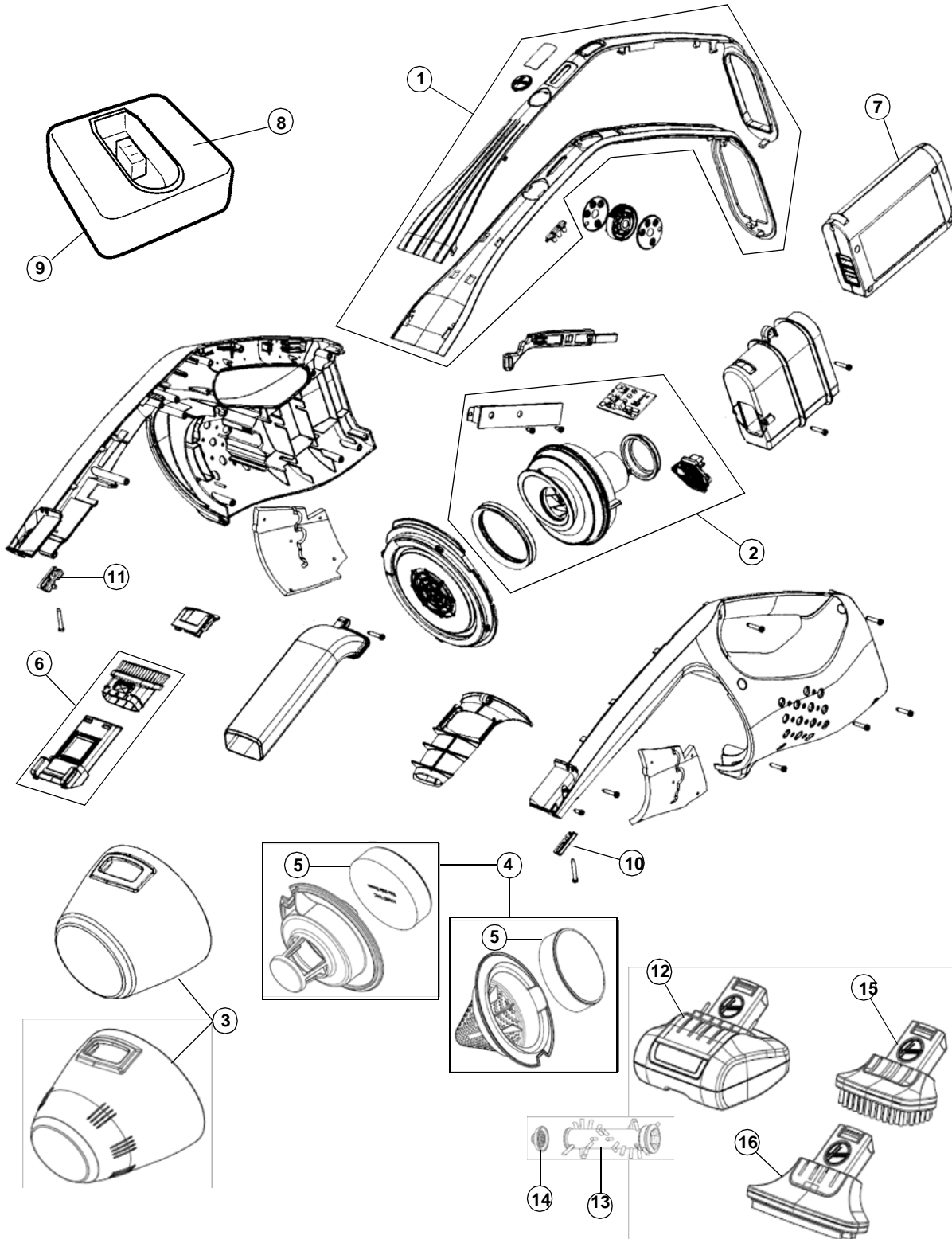
PLATINUM
Collection

LiNX™
CORDLESS
HAND VAC

ASSEMBLY SCHEMATIC

MODEL NO.

BH50015
BH50030





PLATINUM
Collection

LiNX™
CORDLESS
HAND VAC

PART LISTING

MODEL No.

BH50015
BH50030

ITEM	PART NUMBER	MODELS To FIT	PART DESCRIPTION
1	002044001	BH50015, BH50030	HANDLE OVERLAY ASSEMBLY
2	002045001	BH50015, BH50030	MOTOR AND WIRING ASSEMBLY
3	001168016	BH50015	DIRT CUP
	347772003	BH50030	DIRT CUP
4	002043001	BH50015	PRE-FILTER ASSEMBLY INCLUDING FRAME
	304276001	BH50030	PRE-FILTER ASSEMBLY INCLUDING FRAME
5	001331007	BH50015, BH50030	FOAM FILTER - 2 LAYER
6	001176010	BH50015, BH50030	CREVICE TOOL
7	302723001	BH50015, BH50030	LITHIUM BATTERY PACK
8	302736001	BH50015, BH50030	CHARGER ASSEMBLY
9	562220001	BH50015, BH50030	RUBBER FOOT - CHARGER
10	347971001	BH50015, BH50030	BOTTOM HOUSING CREVICE TOOL - LEFT
11	347972001	BH50015, BH50030	BOTTOM HOUSING CREVICE TOOL - RIGHT
12	410051001	BH50030	POWER BRUSH HEAD ASSEMBLY
13	001531003	BH50030	BRUSH ROLL ASSEMBLY
14	001311002	BH50030	END CAP WITH BEARING ASSEMBLY
15	410049001	BH50030	DUSTING BRUSH ASSEMBLY
16	410048001	BH50030	UPHOLSTERY / PET TOOL ASSEMBLY