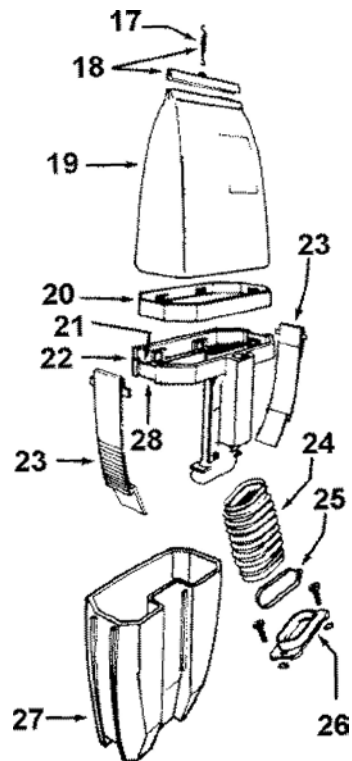
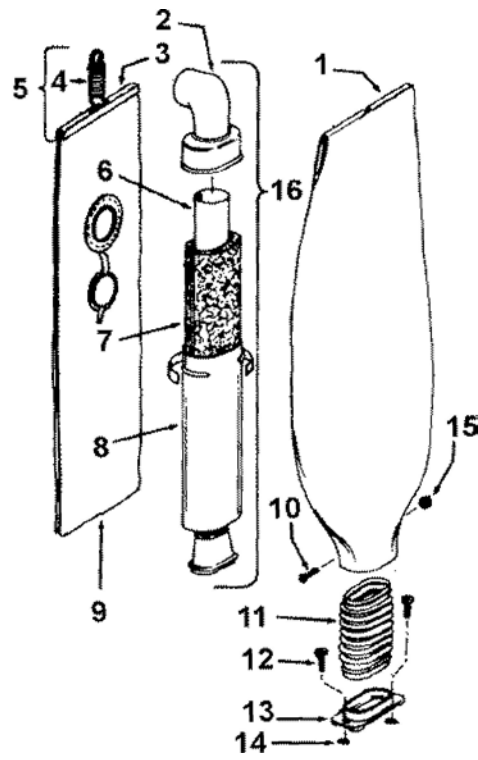


Model Number: C1810—
BOM/Serial #: C1810—
Graphic Title: HANDLE, MAINBODY, HOOD, SWI

Key	Part Number	Description
1	36222014	Wear Strip-LH-C1800
1	48631149	HANDLE ASSEMBLY COMP
1	39467069	HANDLE-AX-CONQUEST
2	39454060	HANDLE GRIP ASSEM-CO
3	39442017	CORD HOOK-AG-C1E01
4	013730-	LOCK RING
5	21631301	HANDLE CLAMP BOLT
6	36215025	CORD PROTECTOR-HP-U7
7	21447215	SCREW-SELF TAPPING
8	46583148	ATTACHMENT CORD - 50
9	36172040	CORD RET CLAMP-U7069
10	013704-	LOCK WASHER
11	36222012	WEAR STRIP - LH
12	32277008	HANDLE CLAMP NUT
13	21831024	HANDLE BOLT-U7069/71
14	36172015	CORD RETAINER-HP-U70
15	41416022	BAIL-AX-C1E01
16	36216008	CORD PROTECTOR-AG-U7
19	42256106	EXHAUST FLANGE ASSM-
20	160017-	LOCK RING
21	32563009	BAIL SHAFT-U7069/71
22	32512001	REAR WHEEL AXLE-U706
23	163110-	WASHER
24	162143-	REAR WHEEL BEARING-U
25	38522036	REAR WHEEL- AG - U7
26	51353002	Nameplate-Hood-C1820
26	51363002	NAMEPLATE- C1810
27	36231084	FURNITURE GUARD
27	36231154	Furn Guard-BU-Short
29	21447215	SCREW-SELF TAPPING
30	35121001	ACCESS DOOR-U7069/71
31	21447003	SCREW
32	36436005	HEIGHT ADJ CAP-AG-C1
33	38381005	SPRING-U7069/71
34	21312754	WASHER-U7069/71

Key	Part Number	Description
35	38522034	WHEEL - FRONT - U706
36	48416036	AGITATOR COMPLETE-U7
37	34122019	BOTTOM PLATE DUCT SE
38	32543005	FRONT AXLE-U7069/71
39	34132019	MOTOR CUSHION-CONQUE
39	37257086	AIR INTAKE DUCT - U7
39	51664023	Lens Label
39	38528013	V-BELT-U7069/71
39	51638061	Object Cleaout Label
39	41211006	FURNITURE GUARD
40	36231061	Furn Guard-Long-BU
41	37241115	MAIN BODY - AG - U70
42	34141005	MOTOR CUSHION-U7069/
43	41119008	CAP-LOCK ASSEM.
44	34253013	AIR DUCT GASKET-U706
45	38657020	AIR DUCT-BZ-U7069/71
46	31534001	SHAFT PULLEY ARM SUP
47	37245064	BOTTOM PLATE-U7071
48	36321006	MOTOR SUPP BRACKET-U
49	21852158	NUT
50	43256007	PULLEY ARM & SHAFT-U
51	31158008	BEARING-U7069/71
52	43256002	PULLEY ASSEMBLY-U706
53	38528036	BELT-CONQUEST/PN-WT
54	017001FW	SCREW
55	32724010	SANDWICH MOUNT-U7069
56	21652005	HEX NUT-U7069/71
57	43574106	MOTOR - 6.5 - U7069-
58	21765140	SCREW-U7069-71
59	34797008	CLAMP BAND-U7069-71
60	38671008	EXHAUST FLANGE BELLO
61	162961--	INSULATING POD-O517
62	163055-	TERMINAL-0910
63	015854EF	NUT
64	38671005	DUCT BOOT-JM-U7069/7
65	32215002	SHAFT-U7069/71
66	35214009	FOOT LEVER SUPPORT-U
67	37257282	CAP-AFA

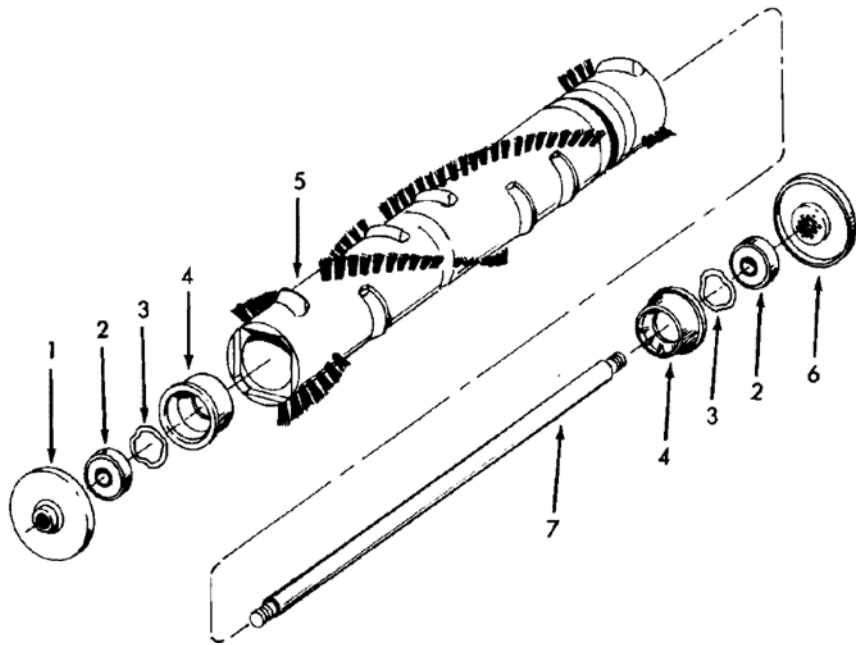
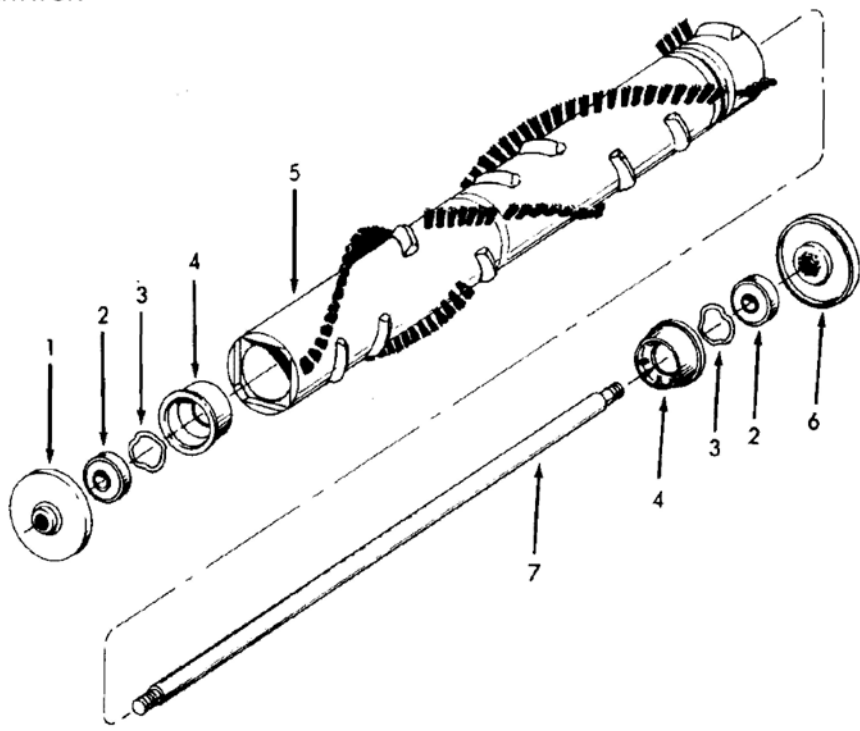
Key	Part Number	Description
67	37257074	CAP
68	27478611	STRAIN RELIEF-C207
69	38335008	SPRING-U7069/71
70	38426030	FOOT PAD-AG-U3301
71	43151006	HDL CONT LEVER-AG-C1
72	27479307	CABLE TIE
73	28212009	SWITCH-U7069
74	36171030	SWITCH CLAMP-U7069/7
75	38426047	SWITCH PEDAL-AG-C1E0
76	36222021	Wear Strip-RH-AG
76	36222017	WEAR STRIP - RH
77	21364102	SPEED NUT-U7069/71
78	31164004	MOTOR CUSHION-U4347
79	56711147	Assem. Inst. Sheet
79	56711143	Oper Inst. Folder
79	37252010	HOOD- AAW- U7071-0
79	37252031	Hood-AG-C1810
80	36321002	MOUNTING BRACKET-U70
81	38783005	INTAKE DUCT GASKET-U
82	56711052	OWNER MANUAL-U7069/7
82	56711160	OWNERS MANUAL - C1805
82	56711051	ASSEM INSTRUCTION SH



Model Number: C1810---
BOM/Serial #: C1810---
Graphic Title: DIRTCUP, OUTERBAG

Key	Part Number	Description	Substitution
1	43674055	OUTER BAG ASSEMBLY H	
2	38657012	TOP FILL TUBE-U7069/	
3	36425026	EXP-BAG CLOSURE CLIP	
4	38336019	JACKET SUPP SPRING-U	
5	41128016	BAG SPING/CLIP ASSEM	
6	31746020	MUFFLER LINER-U7069/	
7	34133005	FOAM MUFFLER-U7069/7	
8	37257083	MUFFLER HOUSING-U706	
9	43667037	INNER BAG ASSEM W/LA	
9	4010100A	ALLER FILT BAG A	
9	43667054	Inner Cloth Bag-Conq	
10	017206--	SCREW 64	
11	38673010	BELLOWS-U7069/71	
12	36112002	SCREW-7069/71	
13	36425005	BAG FLANGE-U7069/71	
14	013759--	LOCK RING	
15	015854EF	NUT	
16	42256012	MUFFLER ASSEMBLY-U70	
16	4010001A	TOP FILL UPR BAG - 3-PK	
17	38336019	JACKET SUPP SPRING-U	
18	41128016	BAG SPING/CLIP ASSEM	
19	43667040	CLOTH BAG-AAW/AG	43667056
20	35173001	BAG EXPANDER-U7063	
21	34112015	SEAL	34122009
22	41427012	CUP SUPPORT	
23	36155011	LATCH - AG -U7063	
24	38673001	BELLOWS - AG	
25	049044--	CLAMP BAND	
25	017206--	SCREW 64	
25	015854EF	NUT	
26	41424018	BAG FLANGE	
27	38775001	DIRT CUP-U7063	
28	34123020	GASKET	
29	43678060	OUTER BAG COMP-U7069	
29	58642015	DIRT CUP ASSEM KIT	

Image	Key	Part Number	Description	Substitution	Qty.
1	88	43667056	CLOTH BAG-AG		1



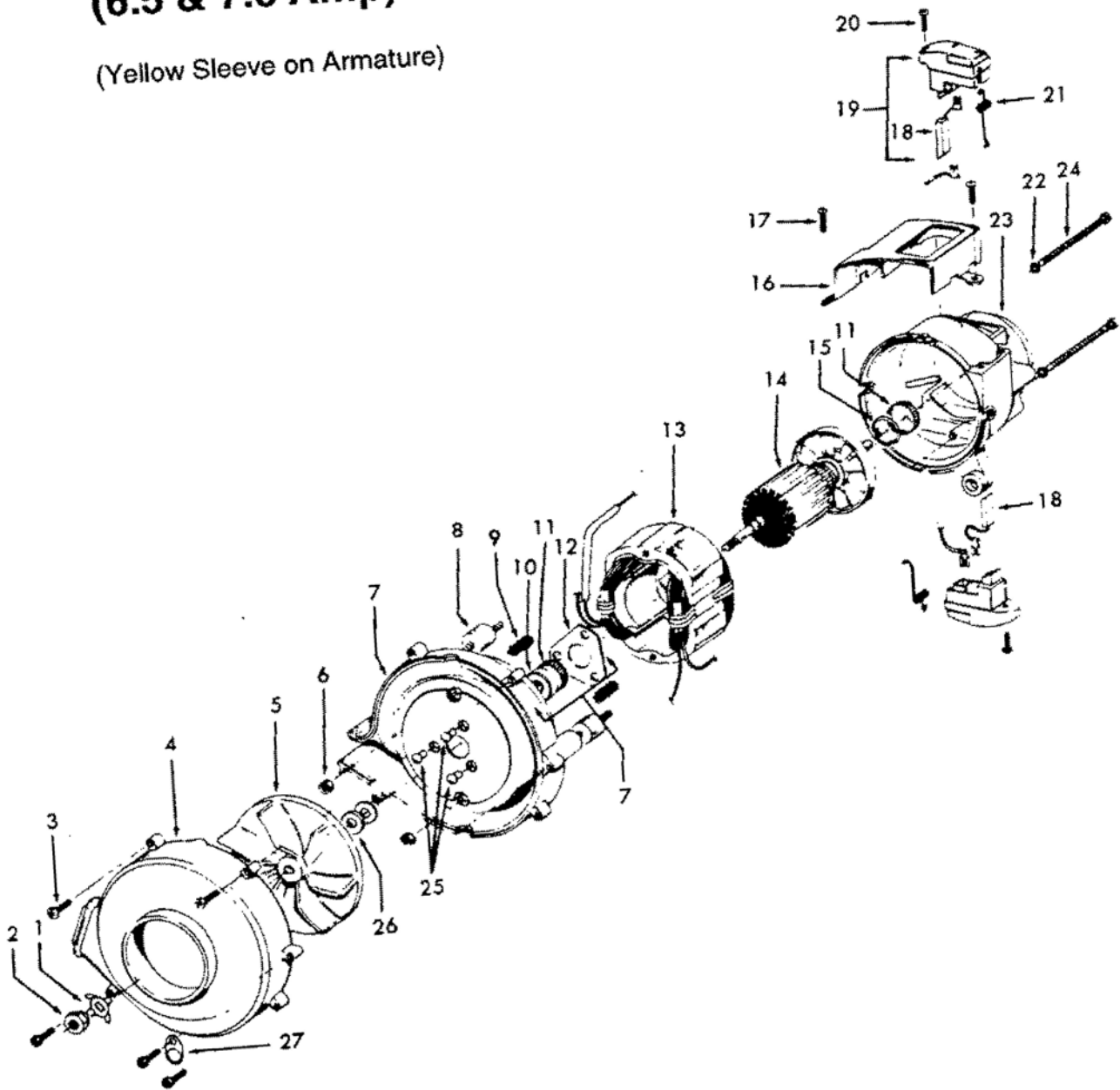
Model Number: C1810—
BOM/Serial #: C1810—
Graphic Title: AGITATOR

Key	Part Number	Description
1	41435066	THREAD GUARD ASSM-U7
2	24152807	MOTOR BEARING - 8MM
3	21345113	WAVE SPRING WASHER-U
4	36422004	AGITATOR END-U7069/7
5	48416017	AGITATOR BODY & ENDS
5	48416013	AGITATOR BODY & ENDS
6	41435061	THREAD GUARD ASSM-U7
7	32873007	AGITATOR SHAFT-U7069
7	32873004	AGITATOR SHAFT-U7071
8	48416036	AGITATOR COMPLETE-U7
8	48416035	AGITATOR COMPLETE-U7

Copyright © 2002 MayTag, Inc. All Rights Reserved.
MOTOR ASSEMBLY

(6.5 & 7.0 Amp)

(Yellow Sleeve on Armature)



Model Number: C1810—
BOM/Serial #: C1810—
Graphic Title: MOTOR ASSEMBLY

Image	Key	Part Number	Description
1	1	36128003	LOCKWASHER
1	2	33426001	NUT-S3005
1	3	21447072	SCREW
1	4	38736025	FAN CHAMBER COVER-U7
1	5	38755012	FAN -U7069
1	6	21641557	NUT-U7069/71
1	7	43588018	FAN CHAMBER ASSM-U70
1	8	32724015	SANDWICH MOUNT-U7069
1	9	012854-	SPRING
1	10	24152807	MOTOR BEARING - 8MM
1	11	24198001	STAR RING-U7069/71
1	12	012025-	MTR BRG RETAINER-U70
1	13	43511042	(5.2 AMP) USE 45311056
1	13	45311056	FIELD COIL - 6.5 - U
1	14	44765187	ARMATURE
1	14	44765184	ARMATURE - C1119
1	15	21345115	WAVE SPRING WASHER
1	16	37257086	AIR INTAKE DUCT - U7
1	17	21447041	SCREW
1	18	47315010	BRUSH & TERM ASSM-U7
1	19	47318008	BRUSH CARRIER ASSM-U
1	20	21479302	SCREW-U7069/71
1	21	38353004	SPRING U3101/3 U4201
1	22	21338006	LOCK WASHER-U7069/71
1	23	37191090	MOTOR HOUSING-U7069/
1	24	21563061	SCREW-U7069/71
1	25	012503EF	RIVET-SEMI TUBULAR
1	26	166563-	WASHER
1	27	045517-	WIRE HOLDER

