

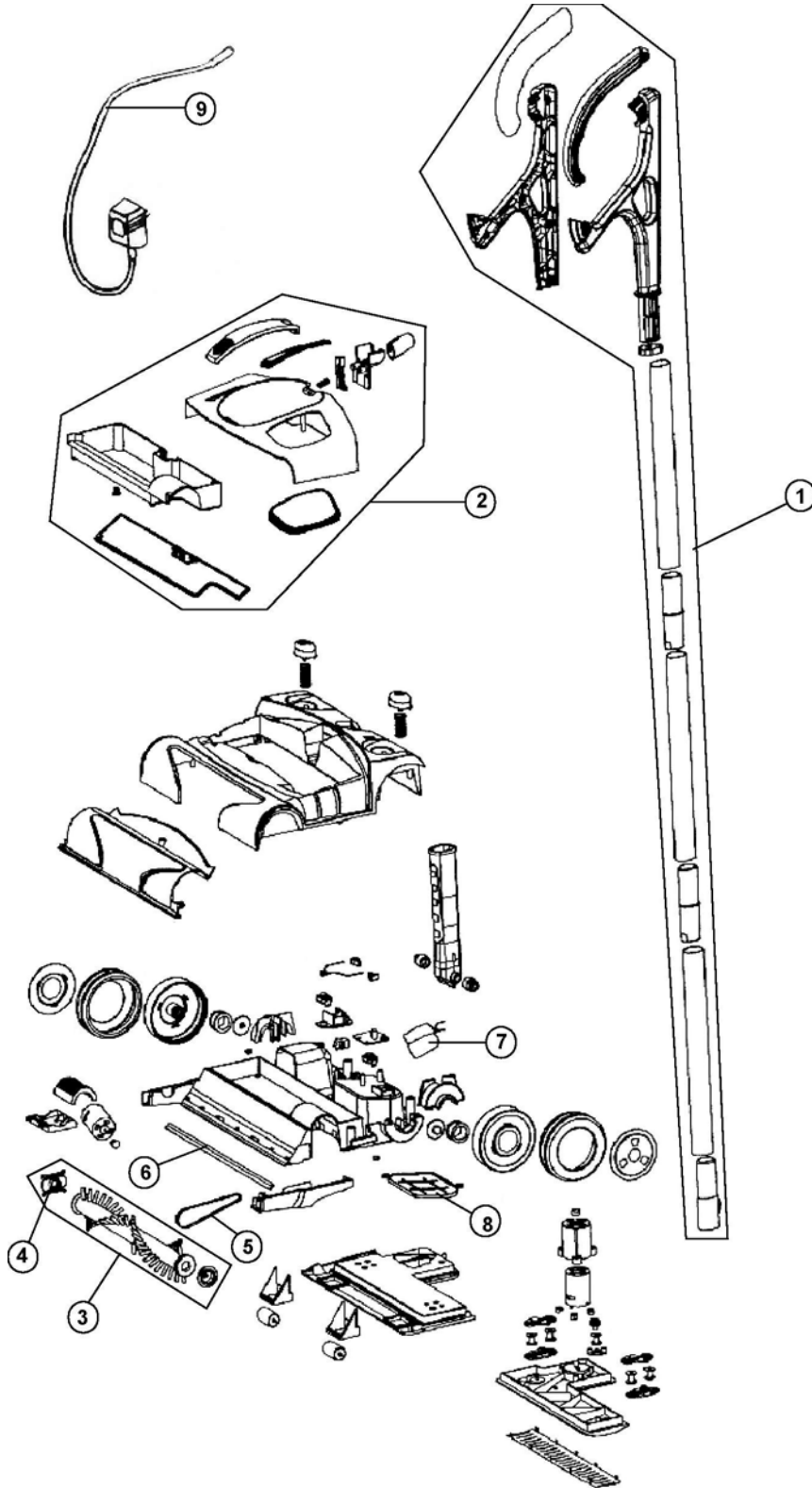


Sonic Sweep™

COMMERCIAL CORDLESS SWEEPER

ASSEMBLY SCHEMATIC

MODEL NO.
CH20000





Sonic Sweep™

COMMERCIAL CORDLESS SWEEPER

PART LISTING

MODEL NO.

CH20000

ITEM	PART NUMBER	MODELS TO FIT	PART DESCRIPTION
1	2SZ1000000	CH20000	HANDLE ASSEMBLY
2	2SZ2200000	CH20000	DIRT CUP ASSEMBLY
3	2SZ1300000	CH20000	BRUSH ROLL ASSEMBLY
4	1SZ1600000	CH20000	BRUSH ROLL END CAP
5	1SZ1500000	CH20000	BELT
6	1SZ1400000	CH20000	RUBBER STRIP
7	2SZ2800000	CH20000	BATTERY PACK ASSEMBLY
8	1SZ2805000	CH20000	BATTERY COVER
9	2SZ2990000	CH20000	CHARGER ASSEMBLY 7.2 VOLT