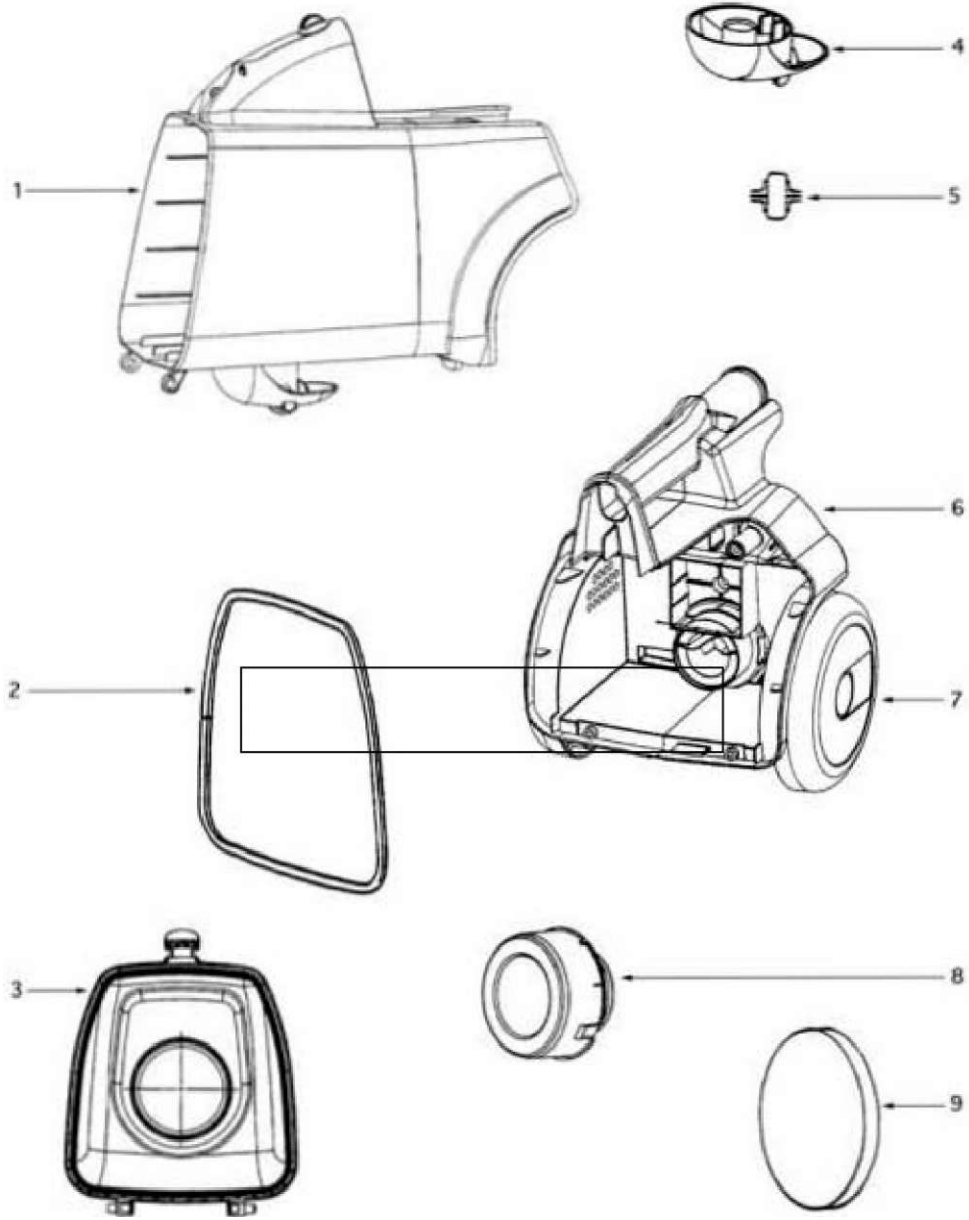
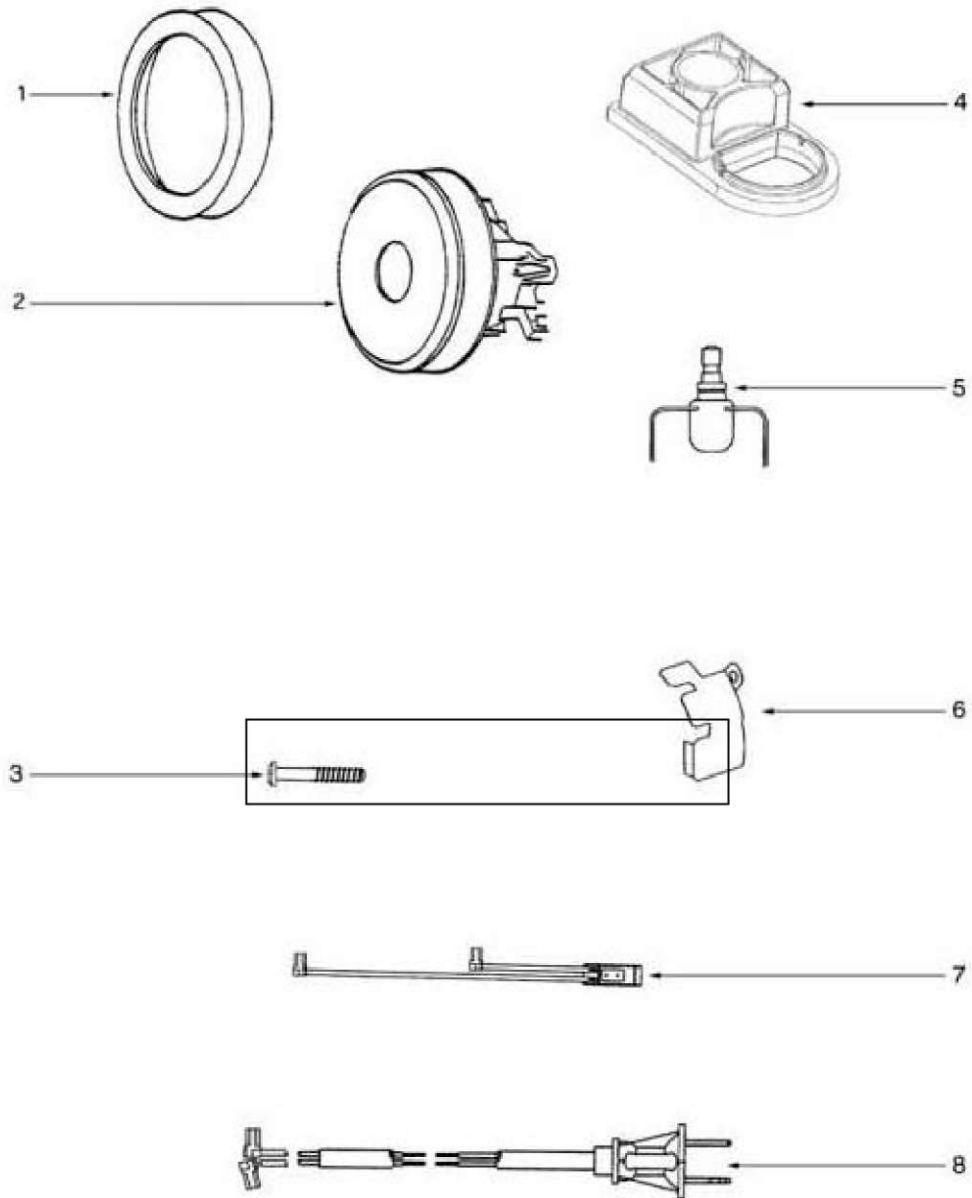


PARTS 1 - SC3683A



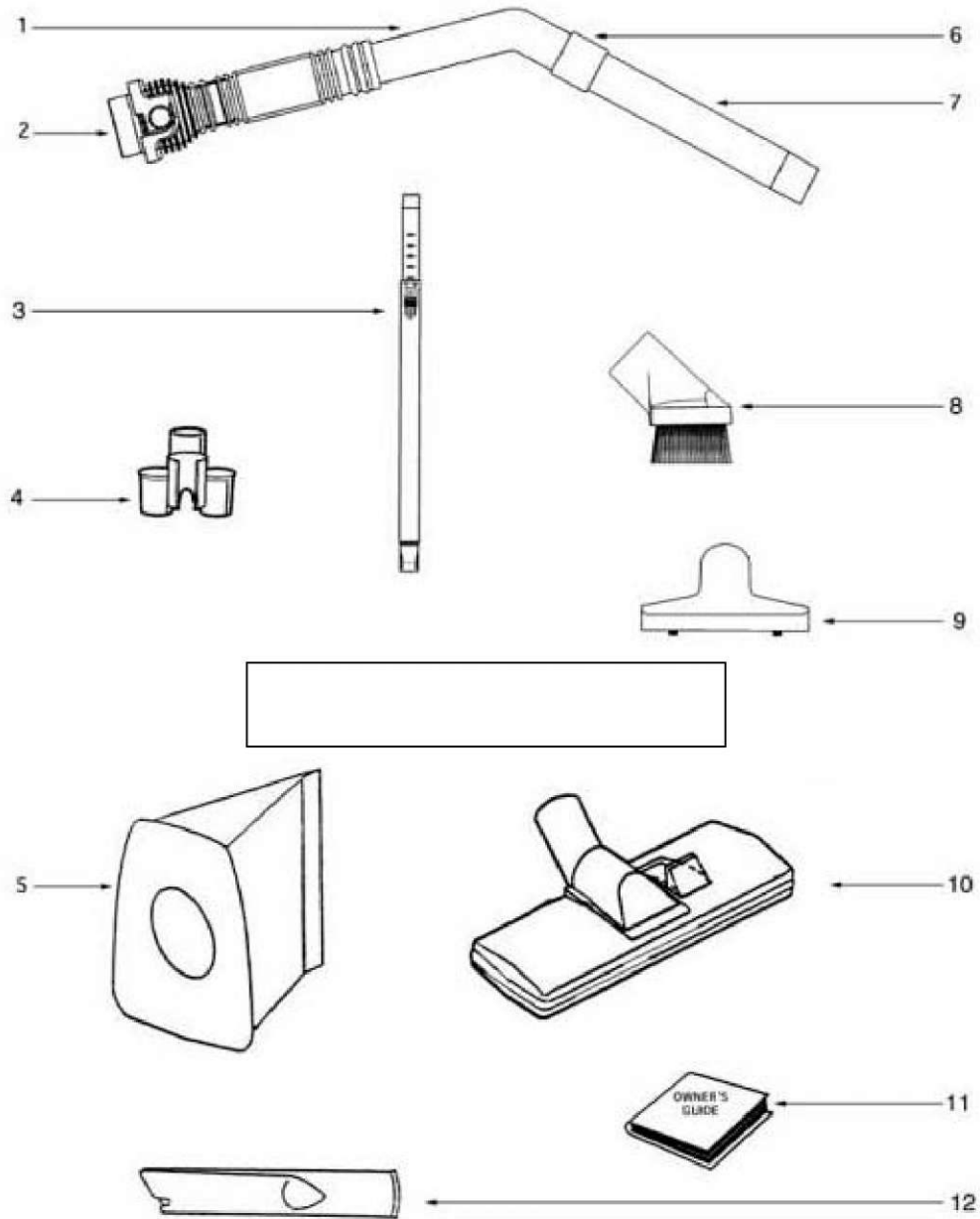
Ref #	Part	Description	Comments	Qty
1	60487-27	HOUSING ASSEMBLY -PACKAG		
2	59046-1	GASKET - FRONT COVER		
3	38956-1SV	FRONT COVER ASSEMBLY		
4	38805-1	CASTER ASSEMBLY		
5	37409-1	WHEEL - CASTER		
6	28008B-4	REAR HOUSING ASSEMBLY		
7	15409A-119N	WHEEL - REAR		
8	27964-119N	EXTENSION TUBE		
9	38333	FILTER		

PARTS 2 - SC3683A



Ref #	Part	Description	Comments	Qty
1	28261	GASKET - MOTOR MOUNTING		
2	60865-5	HEPA MOTOR ASSY - CARTONE		
3	60610	SCREW PKG		
4	28050	BUSHING - MOTOR		
5	28304A-2	SWITCH - PUSHBUTTON		
6	39028	SHIELD - WIRE		
7	39408-2	THERMOSTAT & TERMINAL ASS		
8	39409-5	CORD & TERMINAL ASSEMBLY		

ACCESSORIES - SC3683A



Ref #	Part	Description	Comments	Qty
1	60289-1	HOSE ASSEMBLY - CARTONED		
2	15355-119N	COUPLING - HOSE		
3	39514	TELESCOPIC WAND ASSEMBLY		
4	54610	CLIP & TOOL		
5	60295A	PAPER BAG PKG ASSY (3MM)		
6	37653-3	BLEEDER		
7	26193-3	CURVED HANDLE ASSEMBLY		
8	60290-1	DUSTING BRUSH - PACKAGED		
9	38284-3	UPHOLSTERY NOZZLE ASSEMBL		
10	38702-2	COMB. FLOOR & WALL BRUSH		
11	72095	OWNER'S GUIDE		
12	27237-3	TOOL - CREVICE		