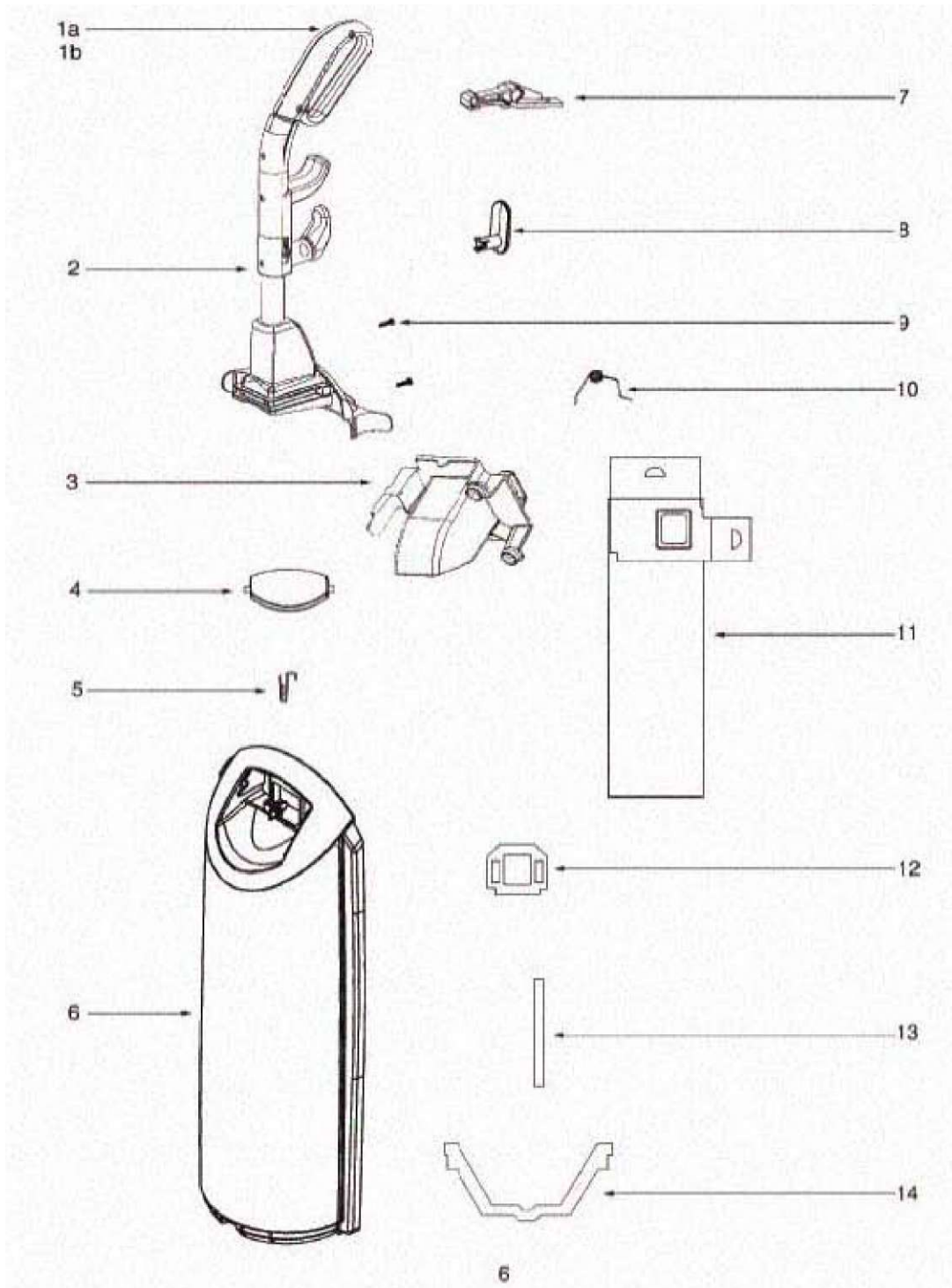


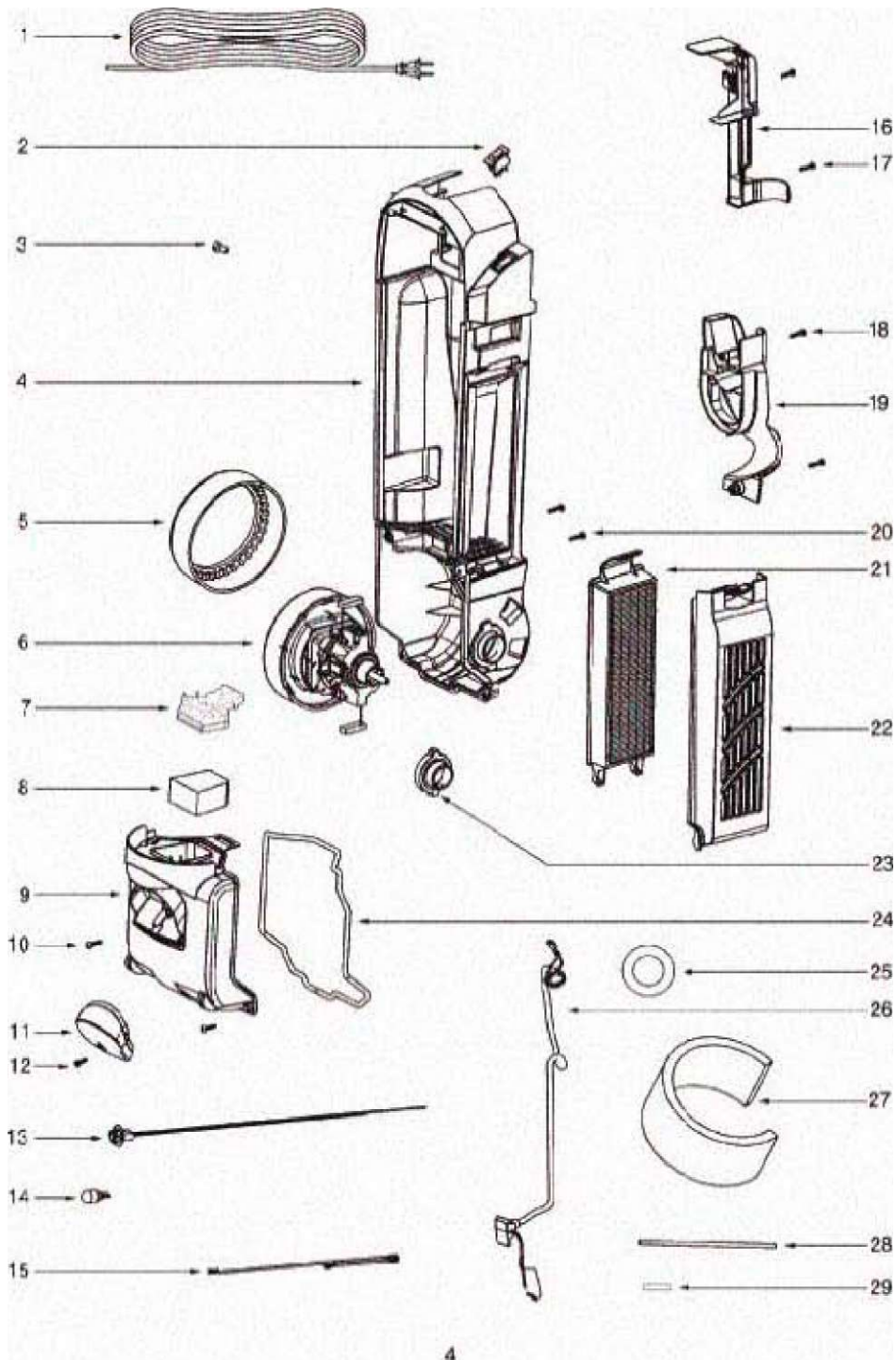
Handle and Bag Cover - SC5713A



Handle and Bag Cover - SC5713A

| Ref # | Part | Description | Comments | Qty |
|-------|-------------|---------------------------|----------|-----|
| 1 | 15596-355N | GRIP - LEFT HANDLE | | |
| 1B | 15597-355N | GRIP - RIGHT HANDLE | | |
| 2 | 731 75-1SV | UPPER HANDLE ASSEMBLY | | |
| 3 | 71 746-119N | ADAPTER - CLIP | | |
| 5 | 71852 | SPRING - TORSION | | |
| 6 | 61880-7 | BAG COVER ASSEMBLY - PKGD | | |
| 7 | 71 747-119N | BAG-IN-PLACE ARM | | |
| 8 | 28316-355N | RETAINER - CORD | | |
| 9 | 53238-44 | SCREW PACKAGE | | |
| 10 | 71748 | SPRING - TORSION | | |
| 11 | 61820 | PAPER BAG PACKAGE - STYLE | | |
| 12 | 71854 | GASKET - ADAPTER | | |
| 13 | 71512 | GASKET - BAG COVER | | |
| 14 | 71765A | GASKET - LOWER BAG | | |
| | 71801A | FILTER - EXHAUST (HEPA - | | |

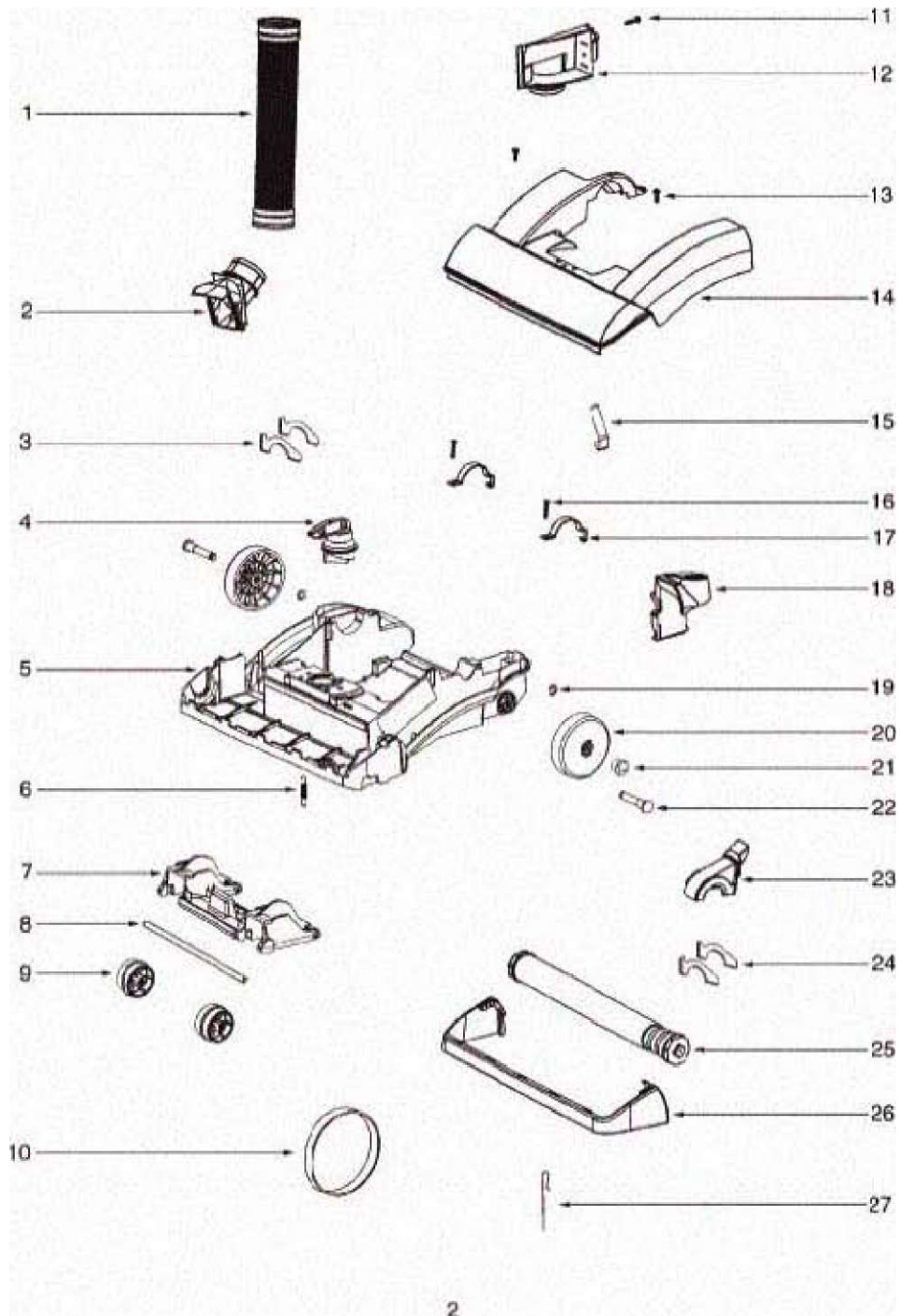
Main Body - SC5713A



Main Body - SC5713A

| Ref # | Part | Description | Comments | Qty |
|-------|------------|---------------------------|--------------------|-----|
| 1 | 38680-31 | SUPPLY CORD & TERMINAL AS | | |
| 2 | 28073A | SWITCH - ROCKER | | |
| 3 | 60192-1 | WIRE SPLICE 5 | | |
| 5 | 75348 | GASKET - MOTOR CAN | | |
| 6 | 62395 | MOTOR ASSEMBLY - PACKAGED | | |
| 7 | 71851-119N | MOTOR SCREEN | | |
| 8 | 71480 | FILTER - PRE-MOTOR | | |
| 9 | 61879-5 | MOTOR COVER ASSY - PKGD | | |
| 11 | | | Not on this model. | |
| 12 | | | Not on this model. | |
| 13 | | | Not on this model. | |
| 14 | | | Not on this model. | |
| 15 | 39252-1 | THERMOSTAT & TERMINAL ASS | | |
| 16 | 72127-1 | SWITCH COVER ASSEMBLY | | |
| 19 | 71455-119N | TOOL PACK - LOWER | | |
| 20 | 53238-27 | SCREW PACKAGE | | |
| 21 | 61840 | WASHABLE HEPA FILTER - PK | | |
| 22 | 72006-5 | FILTER COVER & GRAPHICS A | | |
| 23 | 70084 | BUSHING - MOTOR SUPPORT | | |
| 24 | 71484 | GASKET - MOTOR COVER | | |
| 25 | 71969-1 | GASKET - MOTOR HUB | | |
| 26 | 71465 | CORD - JUMPER | | |
| 27 | 72224-1 | FOAM - SOUND | | |
| 28 | 70651-1 | TUBE - FLEXIBLE | | |
| 29 | 72167 | PLUG | | |
| 4 | 71744-2 | REAR HOUSING ASSEMBLY | | |

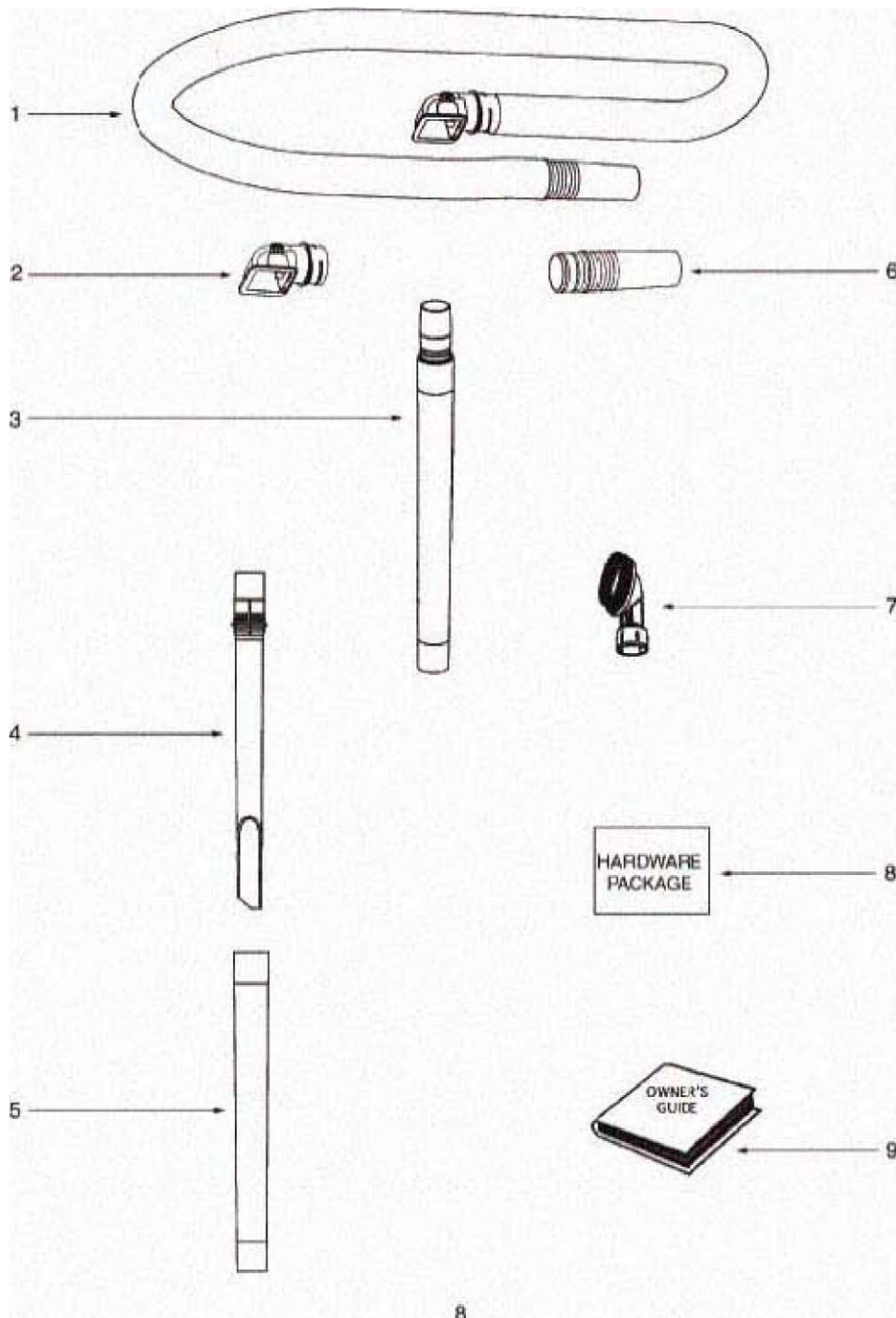
Base and Hood - SC5713A



Base and Hood - SC5713A

| Ref # | Part | Description | Comments | Qty |
|-------|-------------|--------------------------|----------|-----|
| 1 | 71466 | BASE HOSE ASSY | | |
| 2 | 71447-119N | BASE HOSE ASSY | | |
| 3 | 73153 | FELT - BASE | | |
| 4 | 71448-355N | KNOB - HEIGHT ADJUSTMENT | | |
| 5 | 62411-1 | BASE ASSY - PKGD | | |
| 6 | 54943 | SPRING PACKAGE | | |
| 7 | 71446A-119N | CARRIAGE - WHEEL | | |
| 8 | 71478 | AXLE - FRONT | | |
| 9 | 39173A-119N | WHEEL - FRONT | | |
| 10 | 61120A | BELT (LONG LIFE)-U | | |
| 12 | 71 726-119N | BASE HOSE ASSY | | |
| 13 | 53238-44 | SCREW PACKAGE | | |
| 14 | 62412-1 | HOOD ASSEMBLY - PACKAGED | | |
| 15 | 71574 | SPRING - HANDLE RELEASE | | |
| 16 | 53238-27 | SCREW PACKAGE | | |
| 17 | 71487 | CLAMP - MOTOR | | |
| 18 | 71457-355N | RELEASE - HANDLE | | |
| 19 | 54432-2 | PACKAGE - RETAINING RING | | |
| 20 | 72512-1 | | | |
| 21 | 73432 | BUSHING - AXLE | | |
| 22 | 38590 | AXLE - REAR | | |
| 23 | 71741A | BELT CAP ASSEMBLY | | |
| 24 | 73152 | FELT - BELT CAP | | |
| 25 | 60844-5 | 12" DISTURBULATOR ASSY - | | |
| 27 | 38063 | GUARD - BELT | | |

Accessories - SC5713A



Accessories - SC5713A

| Ref # | Part | Description | Comments | Qty |
|-------|-------------|---------------------------|----------|-----|
| 1 | 61865-4 | HOSE ASSEMBLY - CARTONED | | |
| 2 | 71725-313N | ADAPTER - HOSE | | |
| 3 | 71492A | NESTING WAND ASSEMBLY | | |
| 4 | 71956A-355N | WAND - CREVICE | | |
| 5 | 71973-119N | WAND - OUTER | | |
| 6 | 70559A-119N | COUPLING - HOSE | | |
| 7 | 60990-2 | COMBINATION BRSH BRSTLD-C | | |
| 8 | 72322 | PACKAGE - HARDWARE | | |