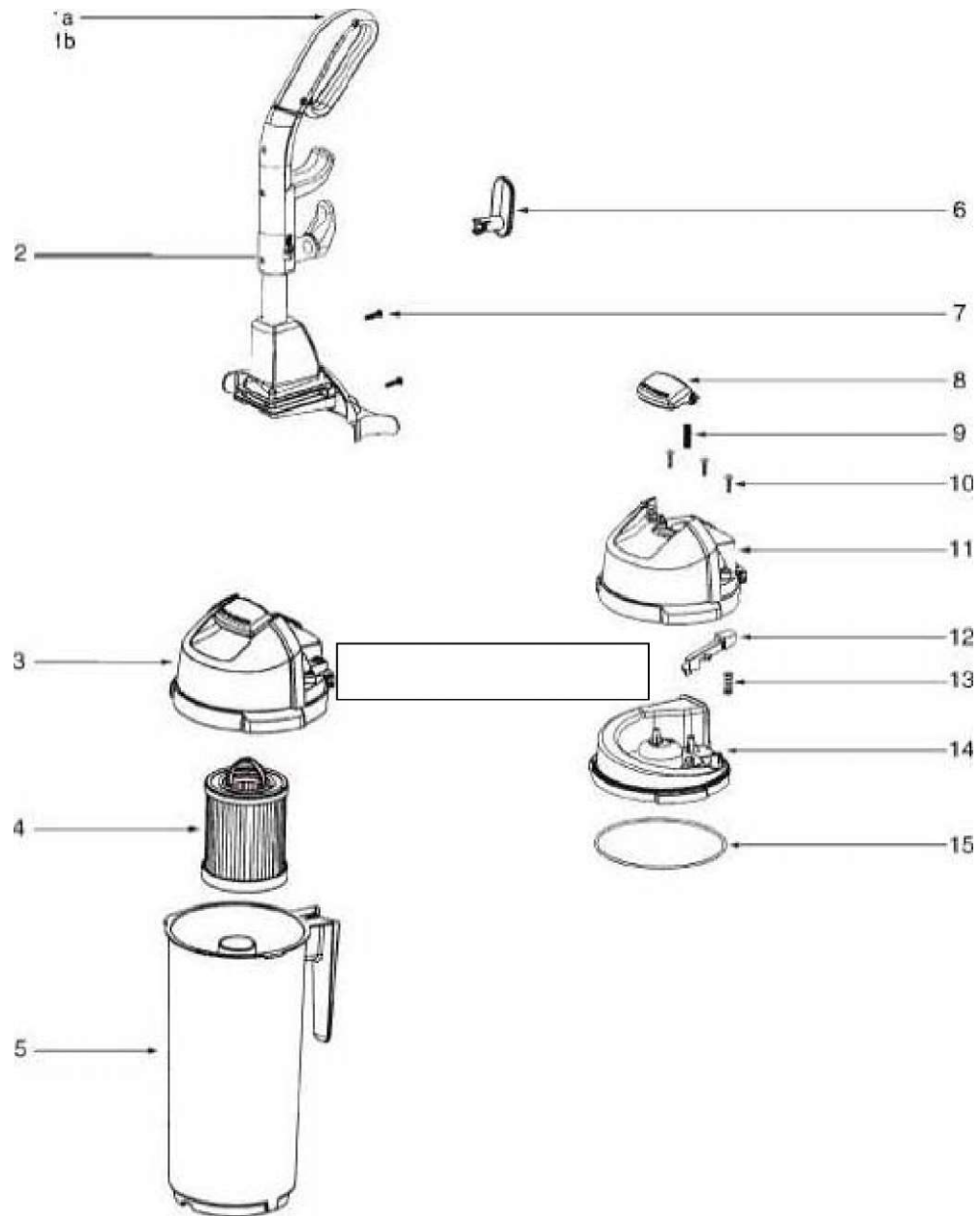


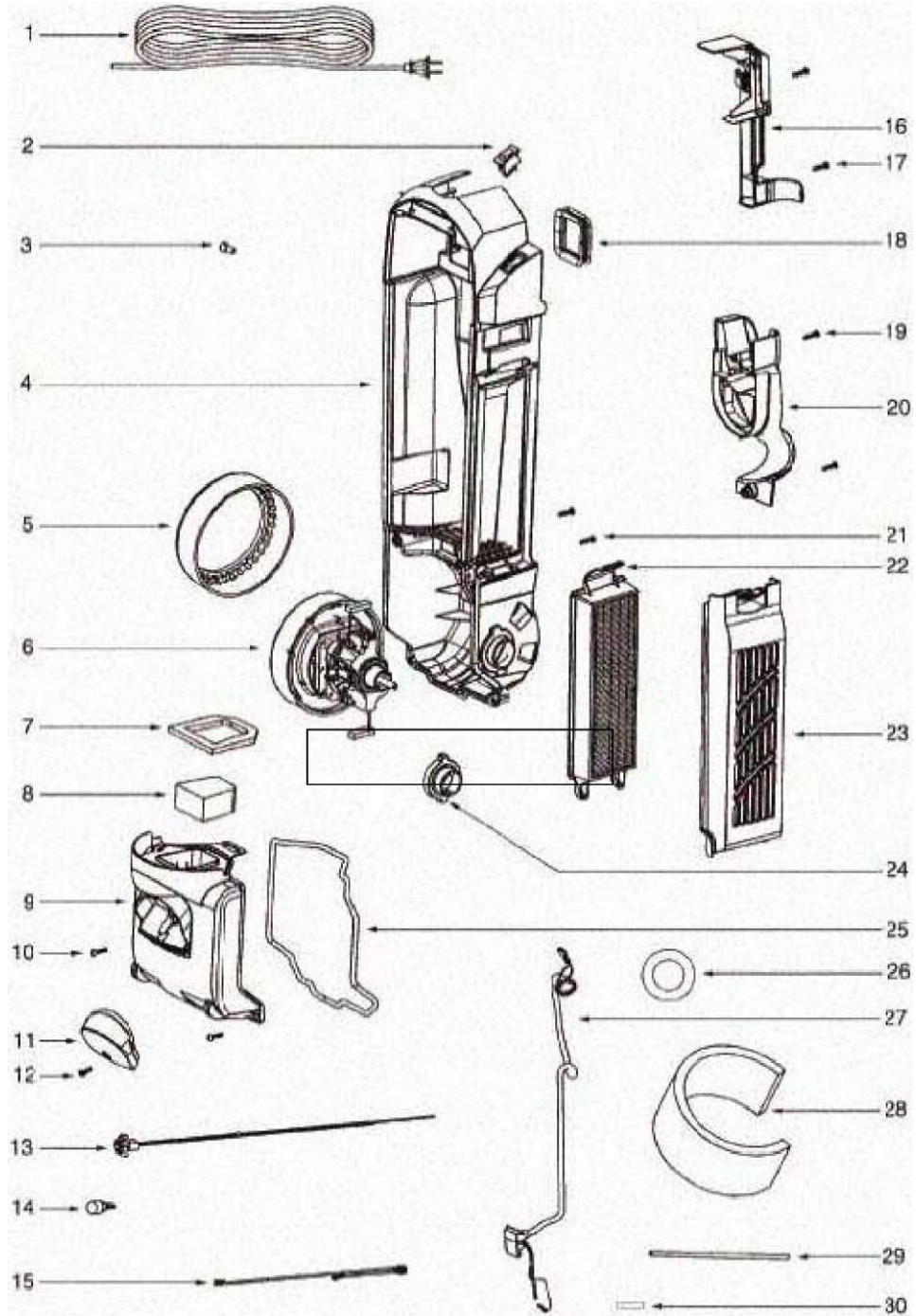
HANDLE & DUST CUP - SC5845A



HANDLE & DUST CUP - SC5845A

Ref #	Part	Description	Comments	Qty
1a	15596-355N	GRIP - LEFT HANDLE		
1b	15597-355N	GRIP - RIGHT HANDLE		
4	61825	DUST CUP FILTER PACKAGE D		
5	61864-1	DUST CUP ASSY - PKGD		
6	28316-355N	RETAINER - CORD		
7	53238-44	SCREW PACKAGE	Pkg of 10	
8	71479-355N	LATCH - DUST CUP		
9	61866	SPRING PACKAGE	Pkg of 5	
10	53238-27	SCREW PACKAGE	Pkg of 10	
12	71785-119N	CATCH - FILTER IN PLACE		
13	61867	SPRING PACKAGE		
14	71451 -119N	CYCLONE		
15	71475	GASKET - CYCLONE		
2	73175-1SV	UPPER HANDLE ASSEMBLY		
3	71537-16	CYCLONE ASSEMBLY		
11			Top cover on cyclone assy complete.	

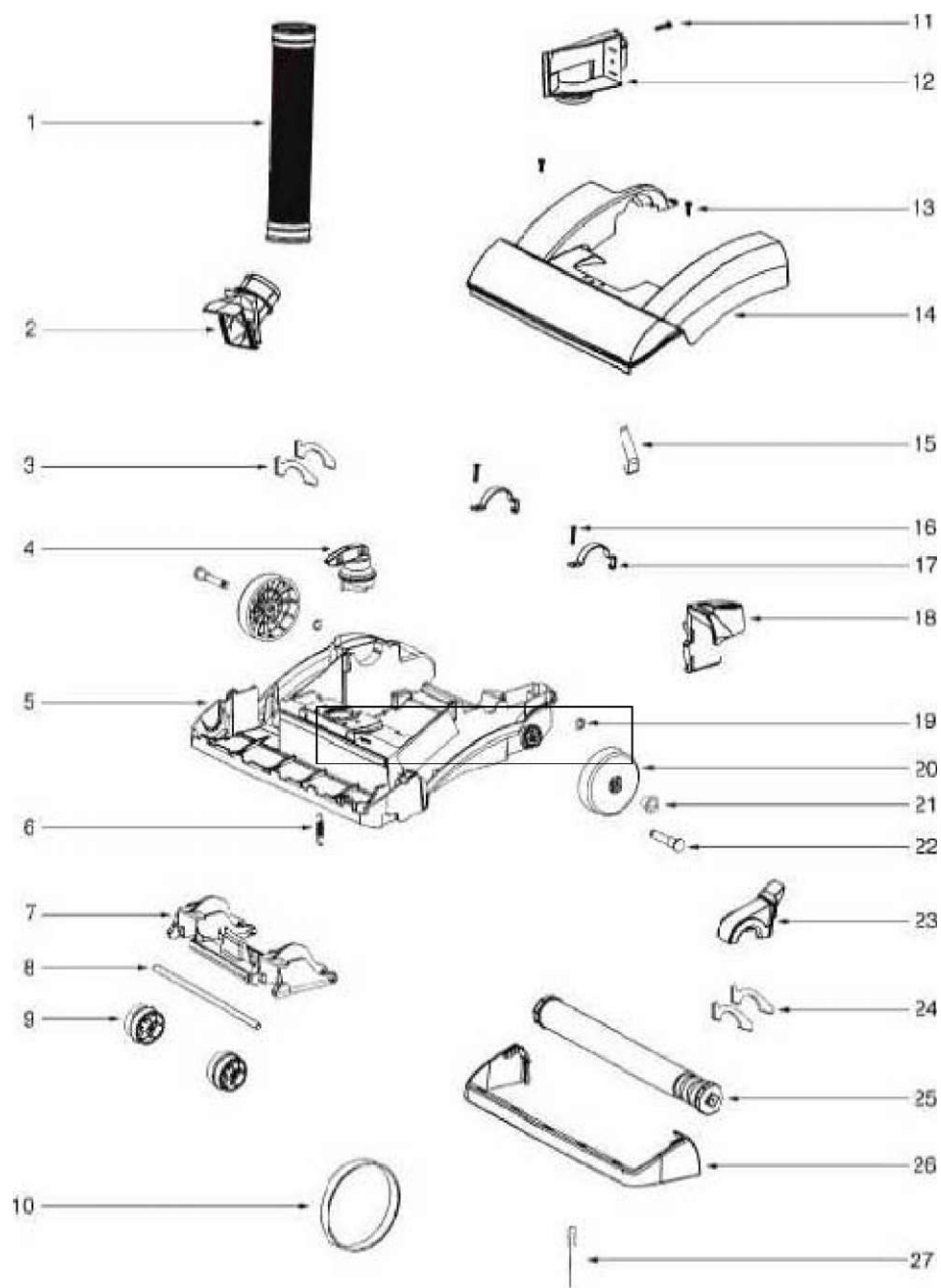
MAIN BODY - SC5845A



MAIN BODY - SC5845A

Ref #	Part	Description	Comments	Qty
2	28073A	SWITCH - ROCKER		
3	60192-1	WIRE SPLICE 5		
4	72126B-1	REAR HOUSING ASSEMBLY	Includes items 18 & 25	
5	75348	GASKET - MOTOR CAN		
6	62395	MOTOR ASSEMBLY - PACKAGED	If the model is SC5845A-1 then the motor is 62394.	
7	71483	GASKET - DIRT CUP LOWER		
8	71480	FILTER - PRE-MOTOR		
9	61863-14	MOTOR COVER ASSY - PACKAG	Includes items 7 & 8	
10	53238-27	SCREW PACKAGE		
11	71460-313N	LENS - HEADLAMP		
12	53238-44	SCREW PACKAGE	Pkg of 10	
13	70701-2	SOCKET & TERMINAL ASSY		
14	57940-3	LAMP - HEADLIGHT		
15	39252-1	THERMOSTAT & TERMINAL ASS		
16	72127-1	SWITCH COVER ASSEMBLY		
17	53238-27	SCREW PACKAGE	Pkg of 10	
18	71482	GASKET - INTAKE		
19	53238-27	SCREW PACKAGE	Pkg of 10	
20	71455-119N	TOOL PACK - LOWER		
21	53238-27	SCREW PACKAGE	Pkg of 10	
22	61840	WASHABLE HEPA FILTER - PK		
23	72006-5	FILTER COVER & GRAPHICS A		
24	70084	BUSHING - MOTOR SUPPORT		
25	71484	GASKET - MOTOR COVER		
26	71969-1	GASKET - MOTOR HUB		
1	38680-31	SUPPLY CORD & TERMINAL AS		
27	71465	CORD - JUMPER		
28	72224-1	FOAM - SOUND		
29	70651-1	TUBE - FLEXIBLE		
30	72167	PLUG		

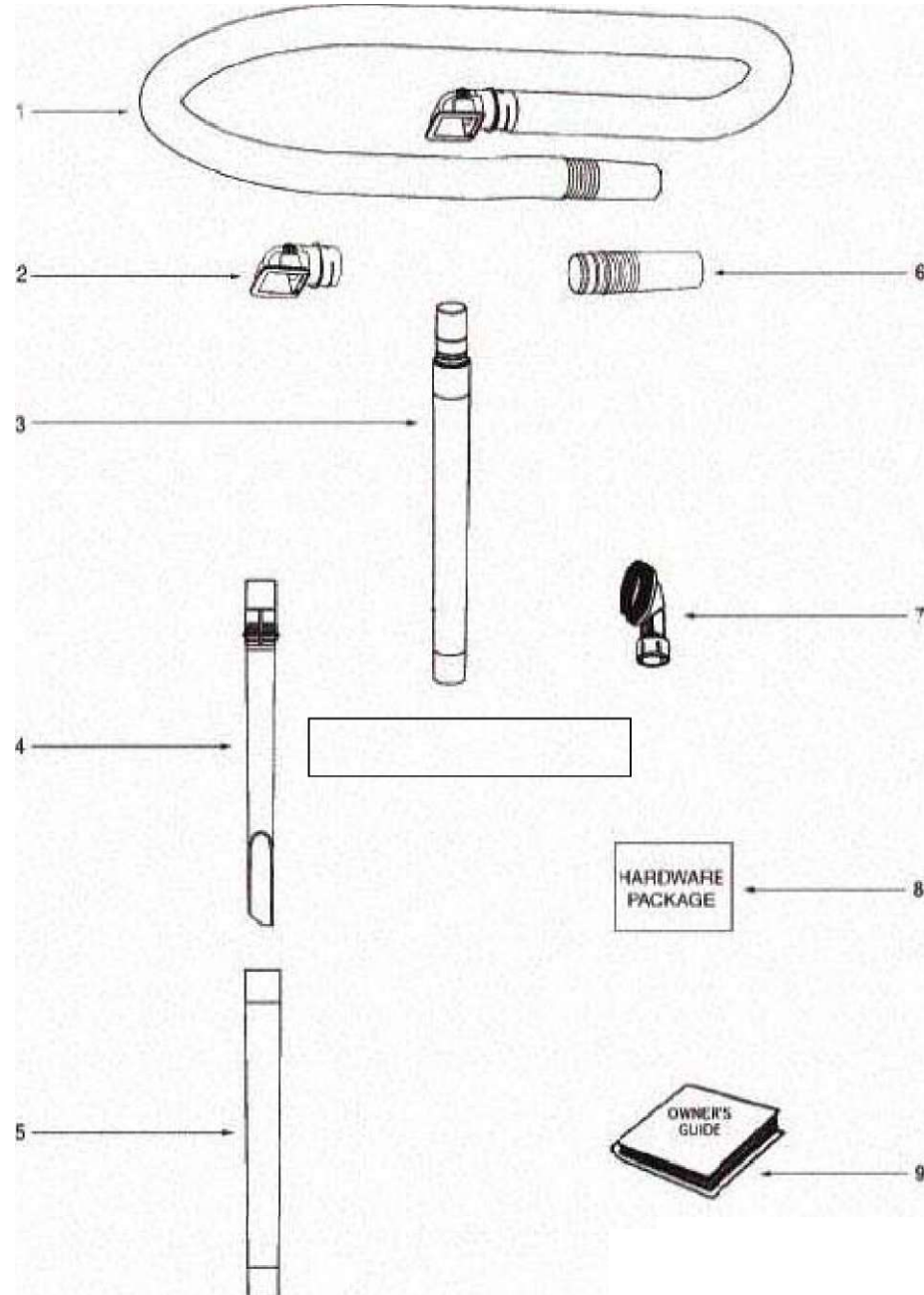
BASE AND HOOD - SC5845A



BASE AND HOOD - SC5845A

Ref #	Part	Description	Comments	Qty
1	71466	BASE HOSE ASSY		
2	71447-119N	BASE HOSE ASSY		
3	73153	FELT - BASE		
4	71448-355N	KNOB - HEIGHT ADJUSTMENT		
5	61877-10	BASE ASSEMBLY - PACKAGED	Includes items 3,4,6,7,8,9,15,18,19,20,21,22,26 & 27	
6	54943	SPRING PACKAGE	Pkg of 10	
7	71446A-119N	CARRIAGE - WHEEL		
8	71478	AXLE - FRONT		
9	39173A-119N	WHEEL - FRONT		
10	61120A	BELT PKG ASSY-STYLE U EXT		
11	53238-27	SCREW PACKAGE	Pkg of 10	
12	71726-119N	BASE HOSE ASSY		
13	53238-44	SCREW PACKAGE	Pkg of 10	
14	61878-19	HOOD ASSEMBLY - PACKAGED		
15	71574	SPRING - HANDLE RELEASE		
16	53238-27	SCREW PACKAGE	Pkg of 10	
17	71487	CLAMP - MOTOR		
18	71457-355N	RELEASE - HANDLE		
19	54432-1	PACKAGE - RETAINING RING	Pkg of 10	
20	72512-1			
21	73432	BUSHING - AXLE		
22	38590A	AXLE - REAR		
23	71741A	BELT CAP ASSEMBLY		
24	71672A	FELT - BELT CAP	Includes item 24	
25	62228-2	BRUSHROLL ASSEMBLY - CART		
26			Furniture guard sold on hood assy only.	
27	38063	GUARD - BELT		

ACCESSORIES - SC5845A



ACCESSORIES - SC5845A

Ref #	Part	Description	Comments	Qty
1	61865-4	HOSE ASSEMBLY - CARTONED	Includes items 2 & 6	
2	71 725-313N	ADAPTER - HOSE		
6	70559A-119N	COUPLING - HOSE		
3	71492A	NESTING WAND ASSEMBLY		
7	60990-2	COMBINATION BRSH BRSTLD-C		
4	71956A-355N	WAND - CREVICE		
8	72322	PACKAGE - HARDWARE		
5	71973-119N	WAND - OUTER		
9	73551			