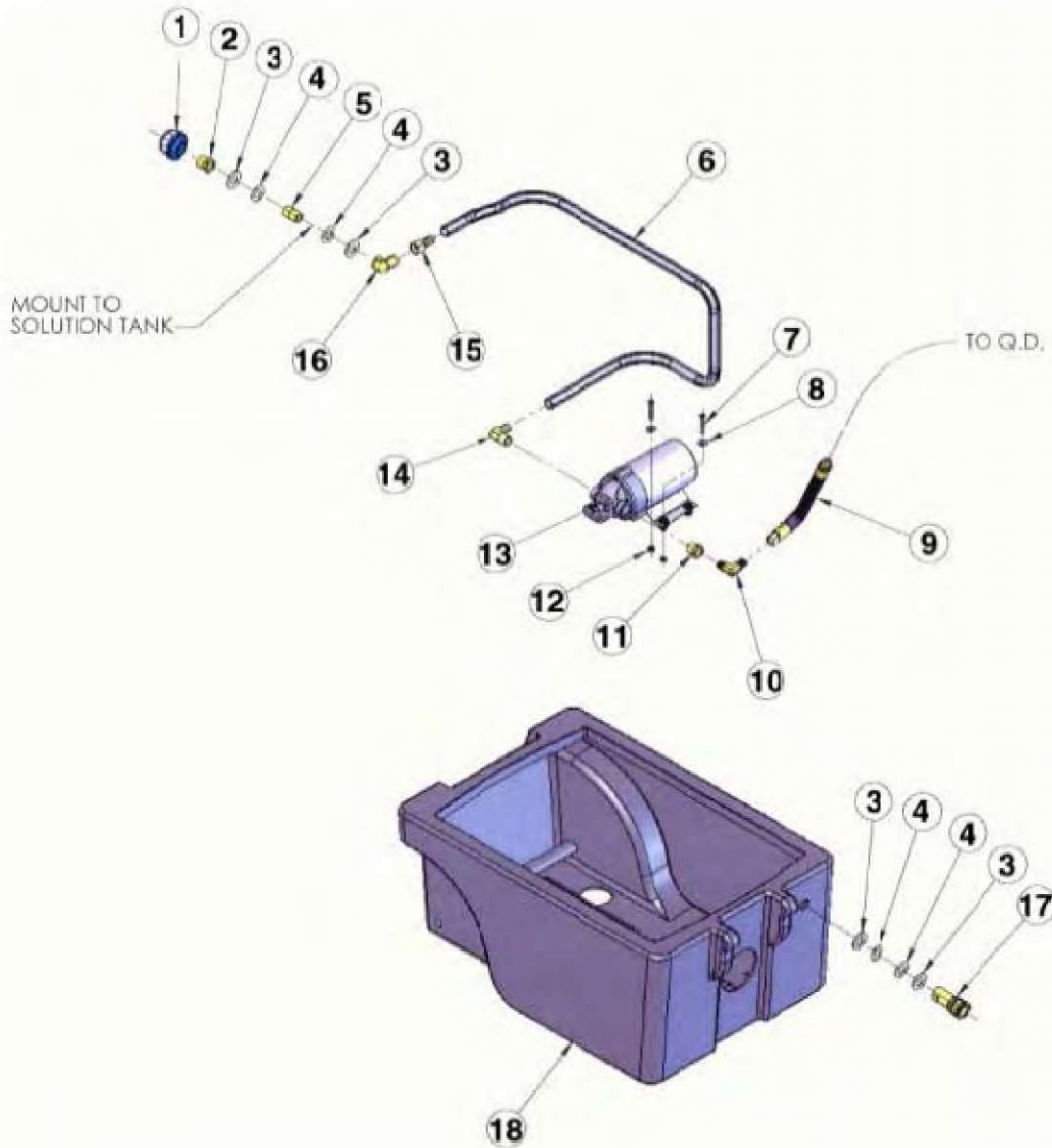
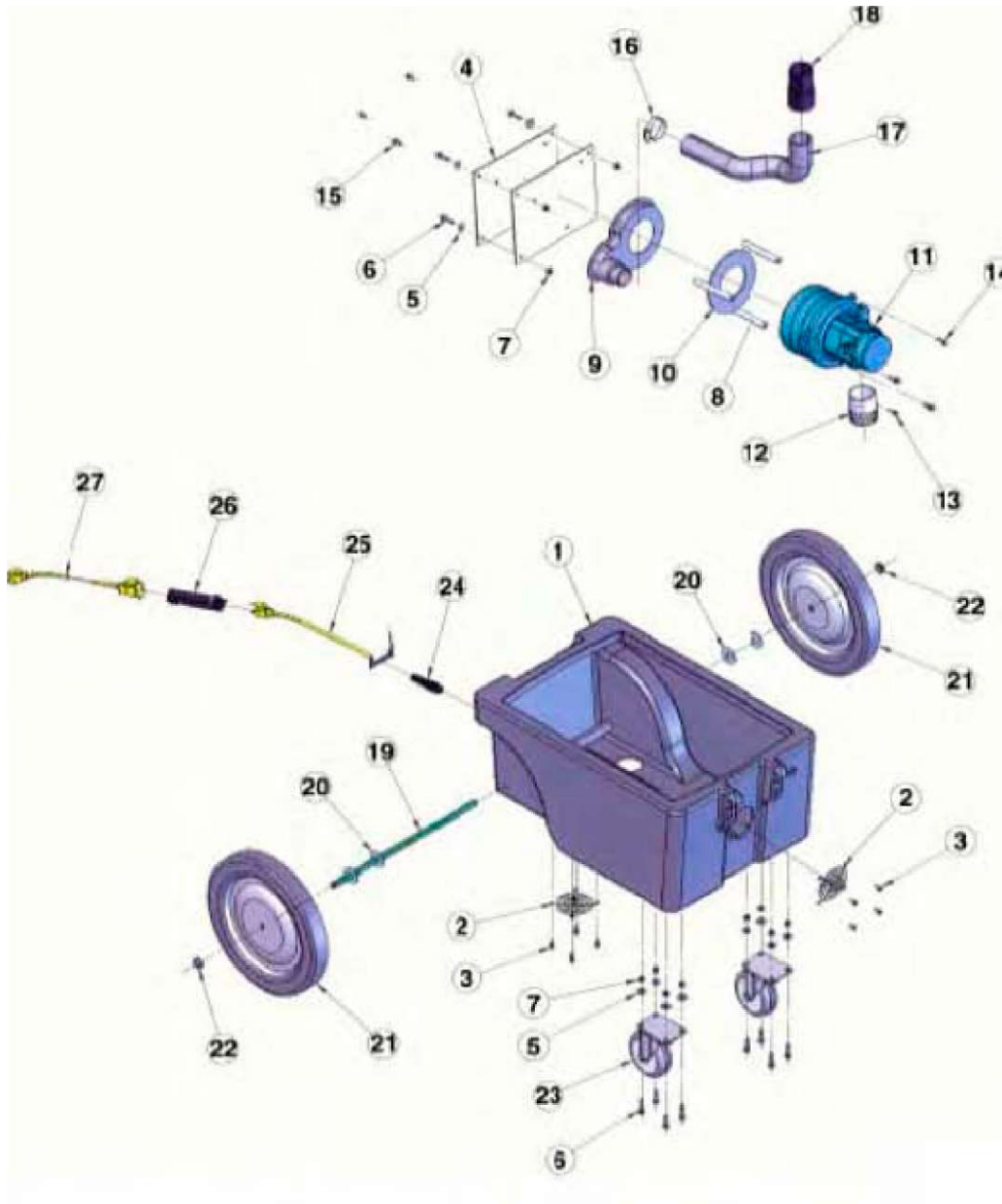


FILTER - SC6080A



| Ref # | Part | Description | Comments | Qty |
|-------|----------|----------------------------|----------|-----|
| 1 | B119A | FILTER STRAINER, 1/2 | | |
| 2 | B210 | BUSHING, 1/2" X 3/8" | | |
| 3 | H212 | WASHER SS 9/16"ID X 1"OD | | |
| 4 | H413 | WASHER NY 9/16ID X 1 1/16 | | |
| 5 | B216 | NIPPLE, CLOSE 3/8" | | |
| 6 | PH615-48 | HOSE, 1/2 KURITEK X 48 LG | | |
| 7 | H222 | SCREW 10-32 X 1 1/4" | | |
| 8 | H289 | #10 FLAT WASHER | | |
| 9 | AH105A | HOSE, 3/8 SURGE X 15-3/4 | | |
| 10 | B136 | 90DEG 1/4 M X M | | |
| 11 | B105 | REDUCER, 3/8" X 1/4" | | |
| 12 | H273 | KEP-NET, #10-32 | | |
| 13 | C370 | PUMP, 150PSI, W/BYPASS DE | | |
| 14 | B172 | 90 DEG BARB 1/2 X 3/8 MP | | |
| 15 | B160 | HOSE BARB 1/2" B X 3/8" F | | |
| 16 | B186 | 3/8 90 DEG BRASS ELBOW (M) | | |
| 17 | B102 | FEMALE, 1/4" QD | | |
| 18 | P799 | BASE (9 GALLON) | | |
| | AH1128 | DRAIN WHIP | | |

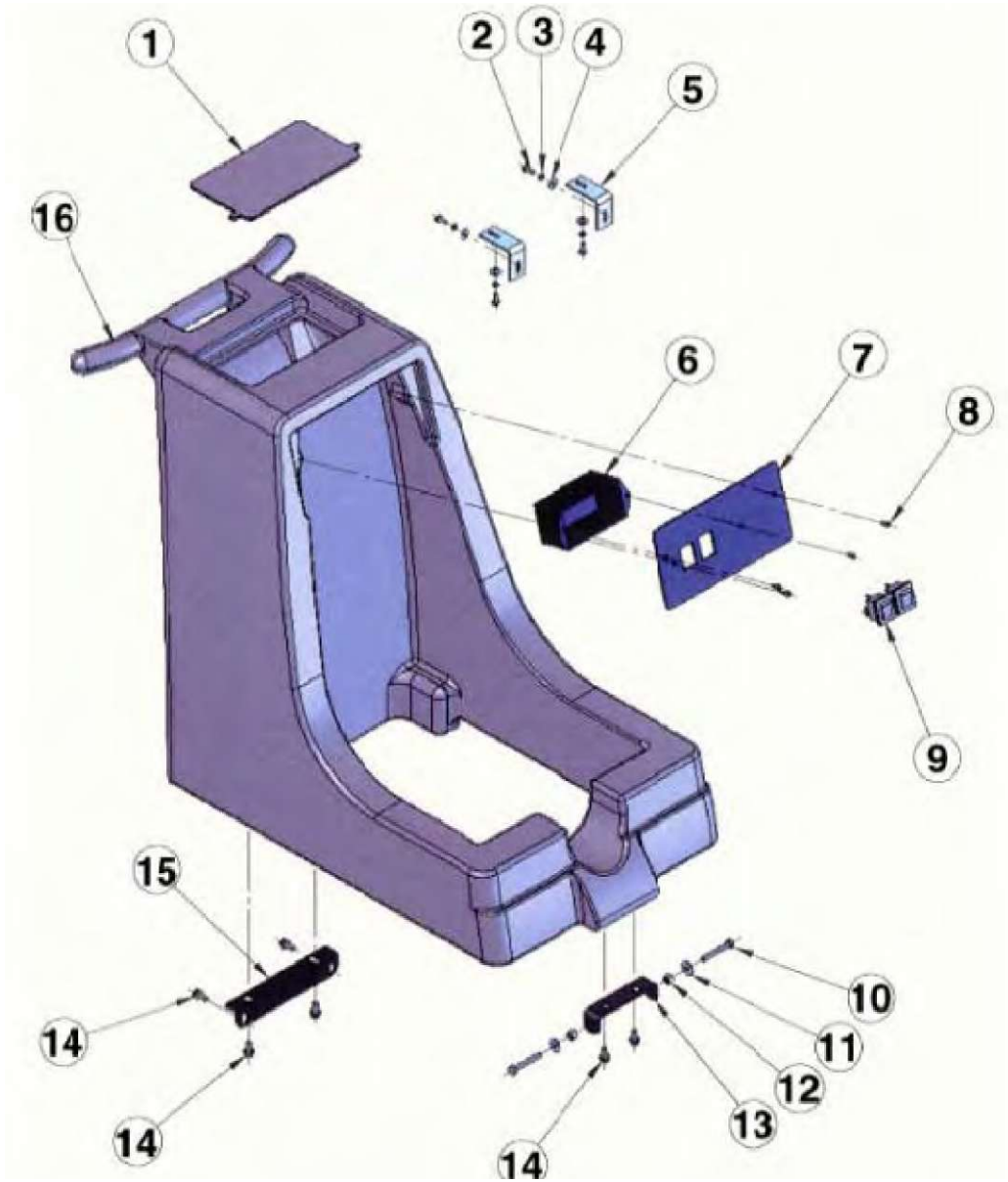
MAIN BODY - SC6080A



MAIN BODY - SC6080A

| Ref # | Part | Description | Comments | Qty |
|-------|----------|---------------------------|----------|-----|
| 1 | P799 | BASE (9 GALLON) | | |
| 2 | H296 | GUARD (WIRE) COOLING FAN | | |
| 3 | H206 | SCREW, #10-32 X 5/8" HEX | | |
| 4 | H330 | PLATE SINGLE MANIFOLD 6.5 | | |
| 5 | H210 | WASHER SS 1/4" FLAT | | |
| 6 | H342 | BOLT SS 14-20 X 1" HEX | | |
| 7 | H216 | NUT 14-20 LOCK | | |
| 8 | H501 | 3 STAGE VAC SUPPORTS 4 1/ | | |
| 9 | P735 | MANIFOLD, SINGLE (PLASTIC | | |
| 10 | G004 | GASKET VAC MOTORES | | |
| 11 | C302 | MOTOR, VAC(3 STAGE)115V,1 | | |
| 12 | H244 | PVC ADAPTOR 1 1/2" FMS X | | |
| 13 | H343 | SCREW,SELF-TAPPING #10 X | | |
| 14 | H768 | 1/4-20X3/4 SERRATED FLANE | | |
| 15 | H201 | BOLT 1/4-20 X 1/2" HEX SS | | |
| 16 | H217 | CLAMP, HOSE 1/2 X 2 1/4 D | | |
| 17 | PH627 | HOSE, VACUUM, 1-1/2 X 22 | | |
| 18 | H300 | HOSE CUFF 1 1/2" (BLACK) | | |
| 19 | PH620-16 | AXLE, 1/2 X 16 LG | | |
| 20 | H254 | WASHER, AXLE (CUT 5/8 ID) | | |
| 21 | H251 | WHEEL 12" | | |
| 22 | H219 | AXLE CAPS 1/2" | | |
| 23 | H668 | CASTER, 4" SWIVEL | | |
| 24 | H856 | STRAIN RELIEF, 3/8"mpt | | |
| 25 | E548 | PIGTAIL POWER CORD | | |
| 26 | G131 | CORD CONNECTOR | | |
| 27 | E535 | 50'CORD | | |

TANK - SC6080A



| Ref # | Part | Description | Comments | Qty |
|-------|------|---------------------------|----------|-----|
| 1 | P800 | TANK,SOLUTION (9 GALLON) | | |
| 2 | H230 | SCREW 10-32 X 1/2" SS | | |
| 3 | H877 | #10 LOCK WASHER | | |
| 4 | H289 | #10 FLAT WASHER | | |
| 5 | H320 | SCREW, #10 X 1/2" HEX HD. | | |
| 6 | H437 | BOX, ELECTRICAL ENCLOSURE | | |
| 7 | H901 | SWITCH PLATE, 2-HOLE | | |
| 8 | H246 | SCREW #8-32 X 3/8 SOCKET | | |
| 9 | E515 | SWITCH, 2 POSITION ROCKER | | |
| 10 | H204 | BOLT, 1/4-20 X 1-3/4 LG H | | |
| 11 | H210 | WASHER SS 1/4" FLAT | | |
| 12 | H216 | NUT 14-20 LOCK | | |
| 13 | H379 | BRACKET, FRONT HINGE | | |
| 14 | H770 | BOLT, 1/4-20 X 1/2 SERRAT | | |
| 15 | H896 | LATCH BRACKET | | |
| 16 | P800 | TANK,SOLUTION (9 GALLON) | | |

ACCESSORIES - SC6080A

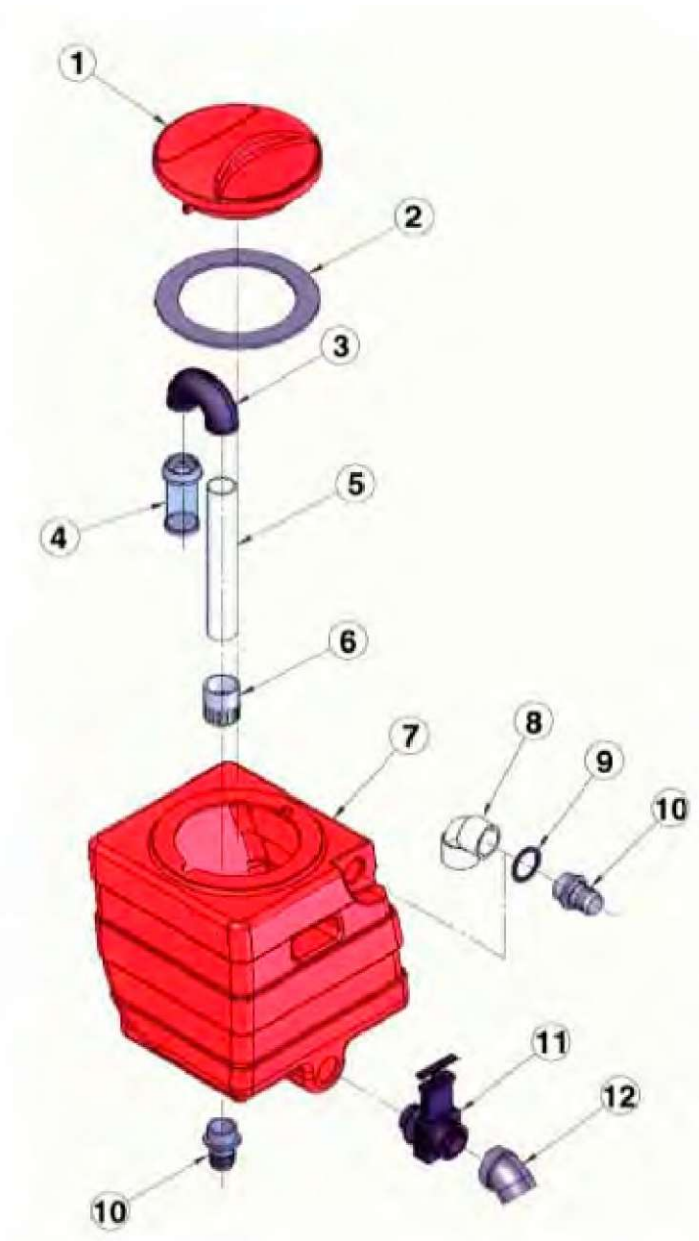


SC6080 - Optional Items

- J, 5CBQ INCLUDES: WAND, 12'5/S SINGLE BEND (83GQ) AND
 15' VAC/SOL HOSE ASSEMBLY 3500)
7. 5CS1 0' ACCESSORY HOSE WITH 3T METAL NOZZLE

| Ref # | Part | Description | Comments | Qty |
|--------|------------|---------------------------|----------|-----|
| 1 | SC80A | COMM EXTRACTOR WAND ATTAC | | |
| | H295 | 15' VAC HOSE | | |
| | A942 | 15' SOLUTION HOSE | | |
| | B122 | SOLUTION JET | | |
| | B133A | VALVE | | |
| | 8350-C | WAND - 2 PIECE FRICTION F | | |
| | AH189 | WAND SOLUTION HOSE | | |
| 2 | SC81A | COMM EXTRACTOR ATTACHMENT | | |
| | H360 | HOSE, VAC 1 1/4" X 8' (SP | | |
| | AH135 | HOSE, DAYCO, 84 LG | | |
| | B146A | SOLUTION JET | | |
| | B144A | VALVE | | |
| | 8400 | UPHOLSTERY NOZZLE - 3" | | |
| | B101 | MALE QUICK-CONNECT, 1/4" | | |
| AH1128 | DRAIN WHIP | | | |

VACUUM TANK - SC6080A



| Ref # | Part | Description | Comments | Qty |
|-------|----------|---------------------------|----------------------|-----|
| 1 | P734N | LID, VACUUM TANK (REPLAMT | Red Lid | |
| | G090 | LID, VACUUM TANK (REPLAMT | Black Screw On Lid | |
| 2 | G005 | GASKET, VACUUM TANK LID | | |
| | G091 | GASKET, VACUUM TANK LID | Gasket for Black Lid | |
| 3 | P755 | ELBOW (1 1/2") FOR FLOAT | | |
| 4 | H235 | FLOAT CAGE (PART A908 ELE | | |
| 5 | PH633-11 | PIPE, PVC, 1-1/2 X 11 LG | | |
| 6 | H244 | PVC ADAPTOR 1 1/2" FMS X | | |
| 7 | P801 | TANK, VACUUM (9 GALLON) | | |
| 8 | H243 | ELBOW,PVC,90DEG,1-1/2"X1- | | |
| 9 | G001 | GASKET, INLET 1 1/2 ID | | |
| 10 | H229 | PVC INLET FITTING 1 1/2" | | |
| 11 | H225 | VALVE, DRAIN 1 1/2" BX 48 | | |
| 12 | H226 | DRAIN SPOUT 45 DEG | | |