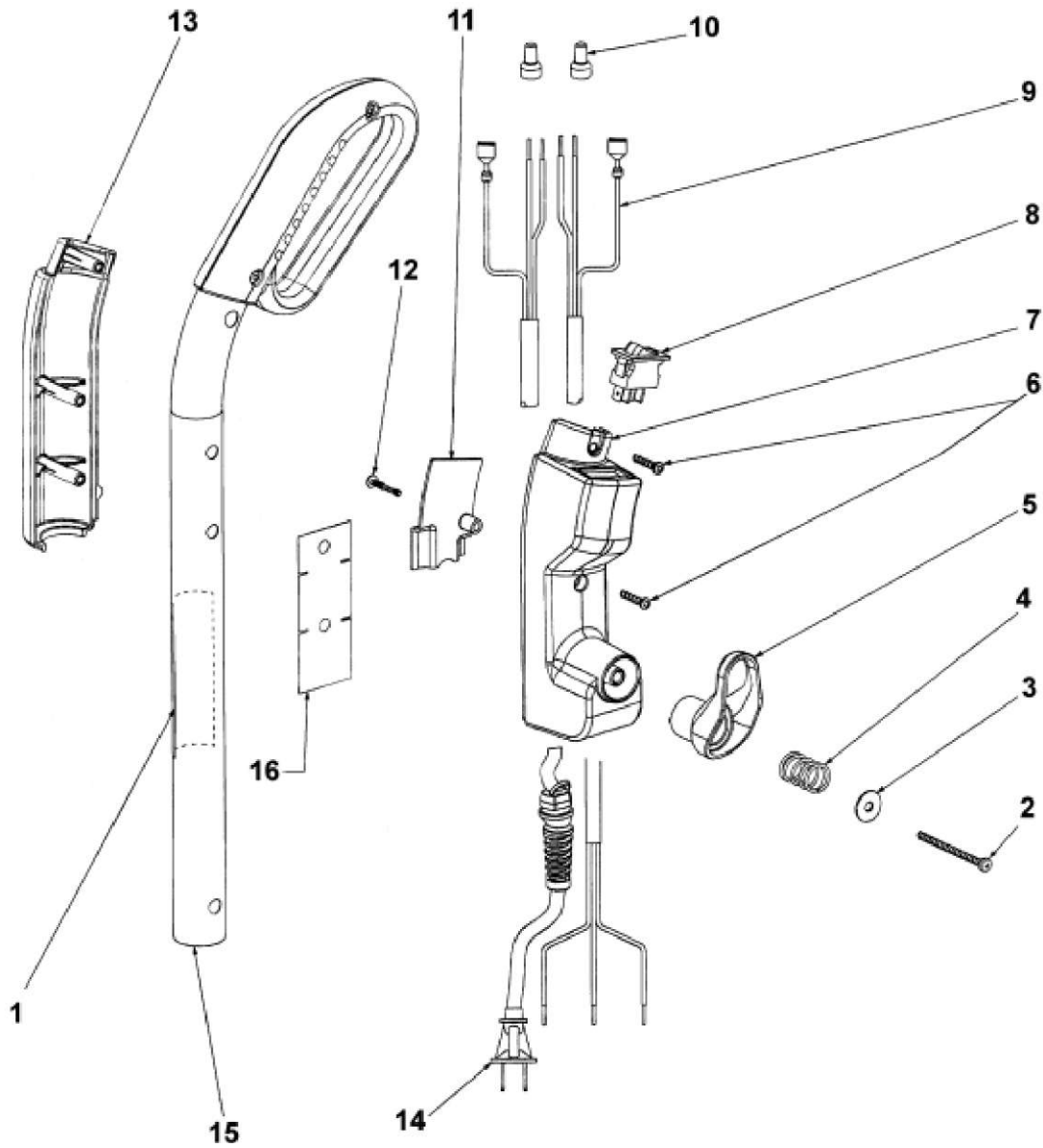
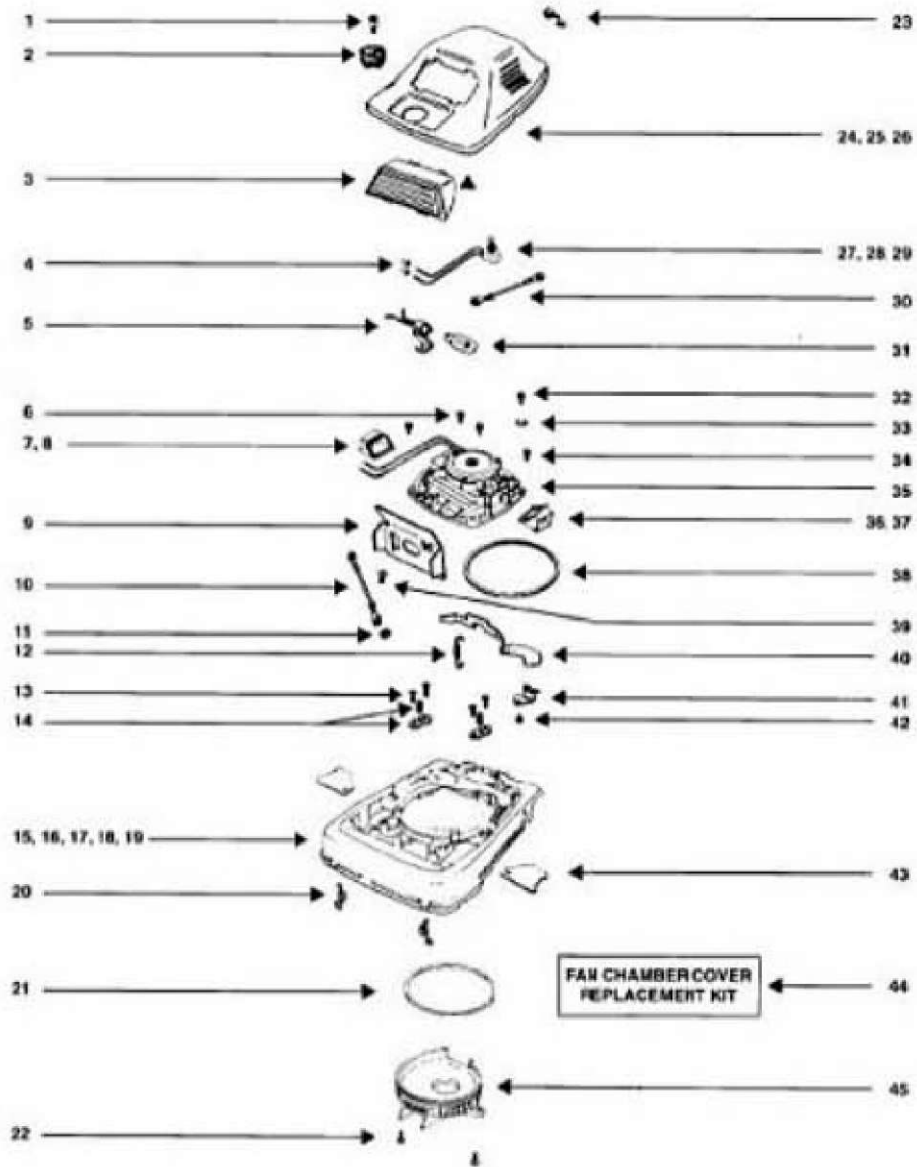


Handle - SC889A



Ref #	Part	Description	Comments	Qty
1		Label		
2	53238-18	SCREW PACKAGE		
3	60946	WASHER - PACKAGED		
4	60945	SPRING - PACKAGED		
5	28316-308N	RETAINER - CORD (QUICK RE		
6	53197-1	SCREW PACKAGE		
7	76643-308N	HOUSING - SWITCH (LH)		
8	27871-1	SWITCH - ROCKER		
9	82470	UPPER CORD ASSEMBLY		
10	60192-1	WIRE SPLICE 5		
11	59741-316N	SHIELD - WIRING		
12	60947	SCREWS - PACKAGED		
13	76644-308N	HOUSING - SWITCH (RH)		
14	36577A-27	SUPPLY CORD ASSEMBLY		
15	15774-3SV	UPRIGHT HANDLE & GRIP ASS		
16				
17	76224	CORD - EXTENSION (50FT)	Extension cord not pictured	
18	76225-355N	CORD LOCK	Extension cord lock not pictured	
	13154B-355N	RETAINER - CORD (LOWER)		
	12637-14	TUBE - HANDLE (LOWER)		
Not Pictured	38183-4SV	HANDLE SOCKET ASSEMBLY		
	36439	SHIELD - HANDLE SOCKET		

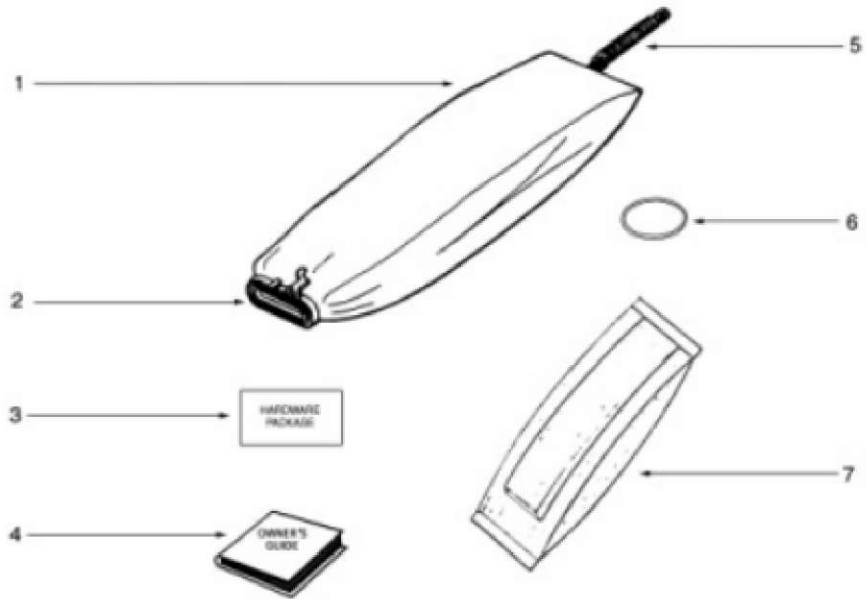
Base and Hood - SC889A



Base and Hood - SC889A

Ref #	Part	Description	Comments	Qty
1	53143	SCREW PACKAGE (10)		
2	38053-5	KNOB & GRAPHICS ASSEMBLY		
3		NOT ON THIS MODEL		
4	53214-1	WIRE NUTS/PKG 10		
5		Not On This Model		
6	53238-13	SCREW PACKAGE		
7	56383-1SV	DUCT ASSEMBLY (R)		
8	49052-3	TAPE - FOAM		
9		NOT ON THIS MODEL		
10	54177	WIRE & TERMINAL ASSY		
11	53213-4	NUTS - PACKAGE 10		
12	53097	SPRING - FOOT PEDAL PKG (
13	53238-13	SCREW PACKAGE		
14	53140	CLAMP & SCREW ASSY PKG		
15	01470D-30SV	BASE ASSEMBLY		
16	24964A-1	CAM (RIGHT)		
17	24965A-1	CAM (LEFT)		
18	53118	RIVET - SHOULDER PACKAGE		
19	53133	STL WASHERS-PKG (48495 (NLA)		
20	53117	SPRING - HOOD PACKAGE (10		
21	30517	GASKET - MOTOR SEAL		
22	53238-14	SCREW PACKAGE		
23		NOT ON THIS MODEL		
24	54097-7	HOOD & NAMEPLATE ASSY - P		
25	79514	NAMEPLATE (CONTRACTOR)		
26		NOT ON THIS MODEL		
27		NOT ON THIS MODEL		
28		NOT ON THIS MODEL		
29		NOT ON THIS MODEL		
30	54173-1	WIRE ASSY (GROUNDING)		
31		NOT ON THIS MODEL		
32	53238-14	SCREW PACKAGE		
33				
34	53238-13	SCREW PACKAGE		
35	54352-16	MOTOR ASSEMBLY - PACKAGED		
36	56382-1SV	DUCT ASSEMBLY (L)		
37	49052-3	TAPE - FOAM		
38	30517	GASKET - MOTOR SEAL		
39	53238-11	SCREW PACKAGE		
40	24834A-5	PEDAL - FOOT		
41	37034	SPRING - ADAPT RETAINER		
43	36263	COVER - WHEEL		
44	52334	FAN CHAMBER REPLACEMENT K		
45	13770-1	COVER - FAN SCROLL		
	82509	PCB - SPEED CONTROL		

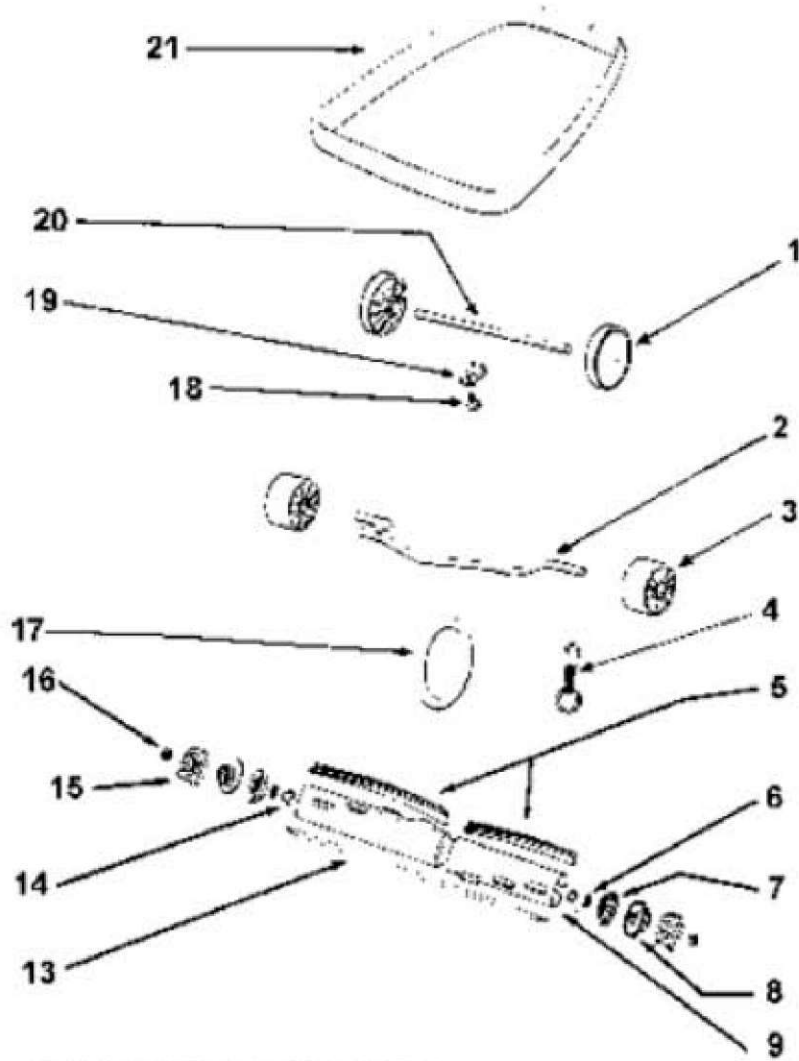
Bag - SC889A



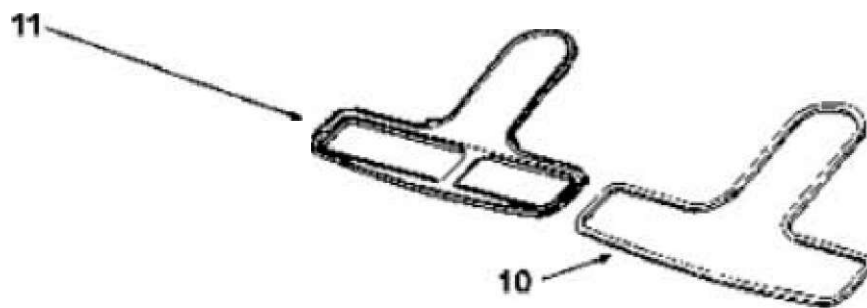
Bag - SC889A

Ref #	Part	Description	Comments	Qty
1	53469-28	ZIPPER BAG ASSY - PACKAGE		
2	77491	DIRT TUBE & OVERMOLD ASSE		
3	49461B-5	HARDWARE PKG - COMM UPRIG		
4	78091	OWNERS GUIDE		
5	47722	SPRING - BAG		
6	48410	SPRING - GARTER		
7	63213	UPR SYN ST DUSTBAG W/A&H		
	78221	ZIPPER HANDLE CHAIN ASSEM		

Furniture Guard and Brush Roll - SC889A

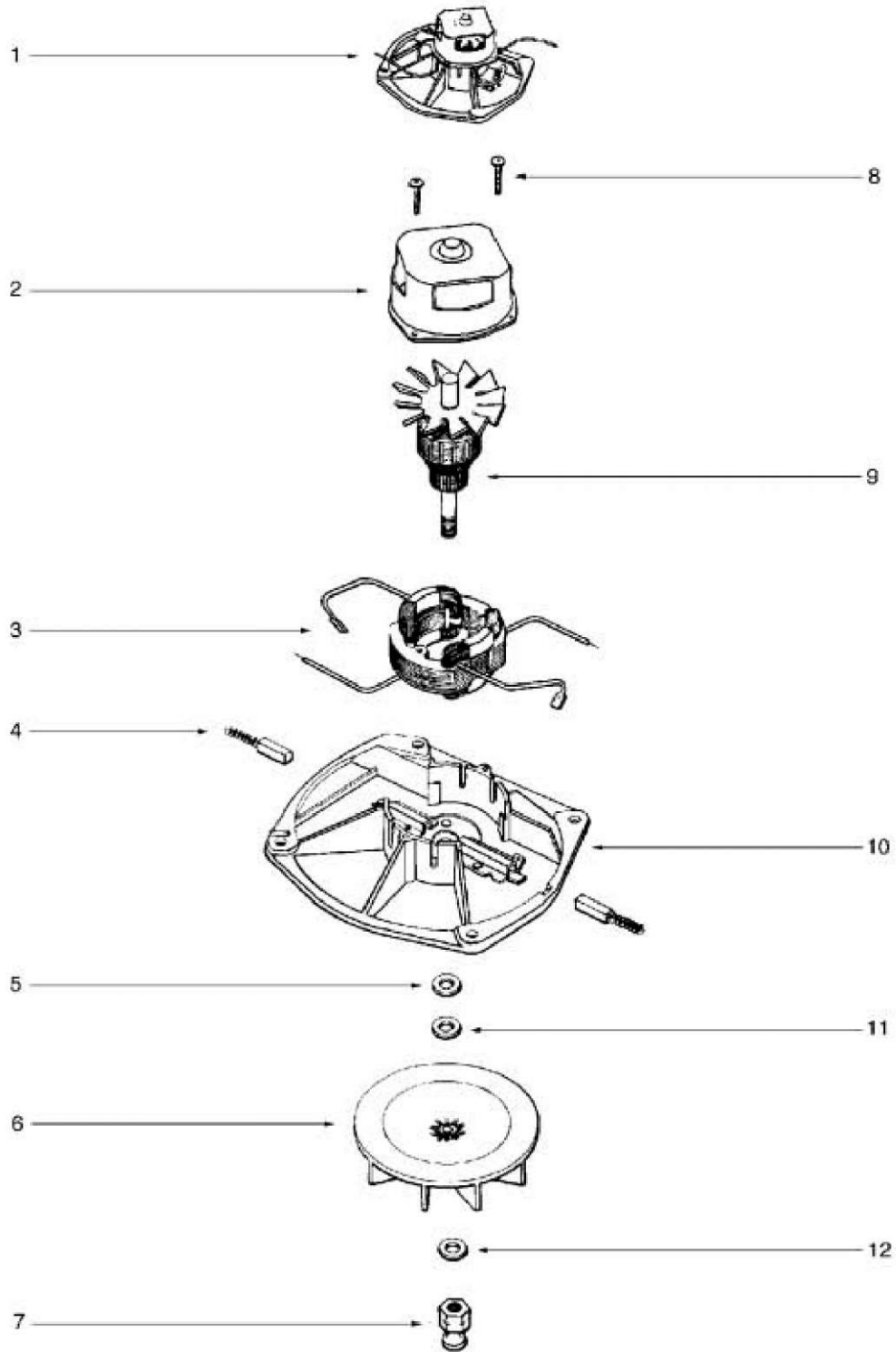


12 Disturbulator Assembly
Includes 13, 14, 15, 16



Furniture Guard and Brush Roll - SC889A

Ref #	Part	Description	Comments	Qty
1	76370-3SV	REAR WHEEL ASSEMBLY		
2	35947A	AXLE - FRONT		
3	35859A-1	WHEEL - FRONT		
4	53076-2	SPRING & AXLE PACKAGE (6)		
5	52282-4	BRISTLE STRIP PACKAGE		
6	54256	BRG & RET ASSY		
7	26057A	CAP - DISTURBULATOR		
8	26059A	CAP - COVER		
9	13236-3	TUBE - DISTURBULATOR		
10	46538-4	TAPE - FOAM		
11	25922-1	BOTTOM PLATE ASSEMBLY		
12	53270	DISTURBULATOR ASSEMBLY		
13	25937	SHAFT - DISTURBULATOR		
14	53184	KLIPRING PACKAGE		
15				
16	53158	LOCK NUT PACKAGE		
17	30563A	BELT-DISTURBULATOR DRIVE		
18	53238-11	SCREW PACKAGE		
19	55535-2	AXLE CLAMP - PACKAGED		
20	37183	AXLE - REAR		
	37234-5SV	WHEEL & AXLE ASSEMBLY		
	53110	WASHER - WHEEL PACKAGE (1)		
	53121	PUSH NUT PACKAGE (10)		



Ref #	Part	Description	Comments	Qty
1	54352-16	MOTOR ASSEMBLY - PACKAGED		
4	UAU-000000-00K03	MOTOR BRUSH ASSEMBLY		
5	53188-2	WASHER PACKAGE		
6	UAU-000000-00K02	FAN BLOWER - MOTOR		
7	UAU-000000-00K06	PULLEY - MOTOR		
11	53148-1	WASHER - FAN PACKAGE (10)		
7	53148-1	WASHER - FAN PACKAGE (10)		