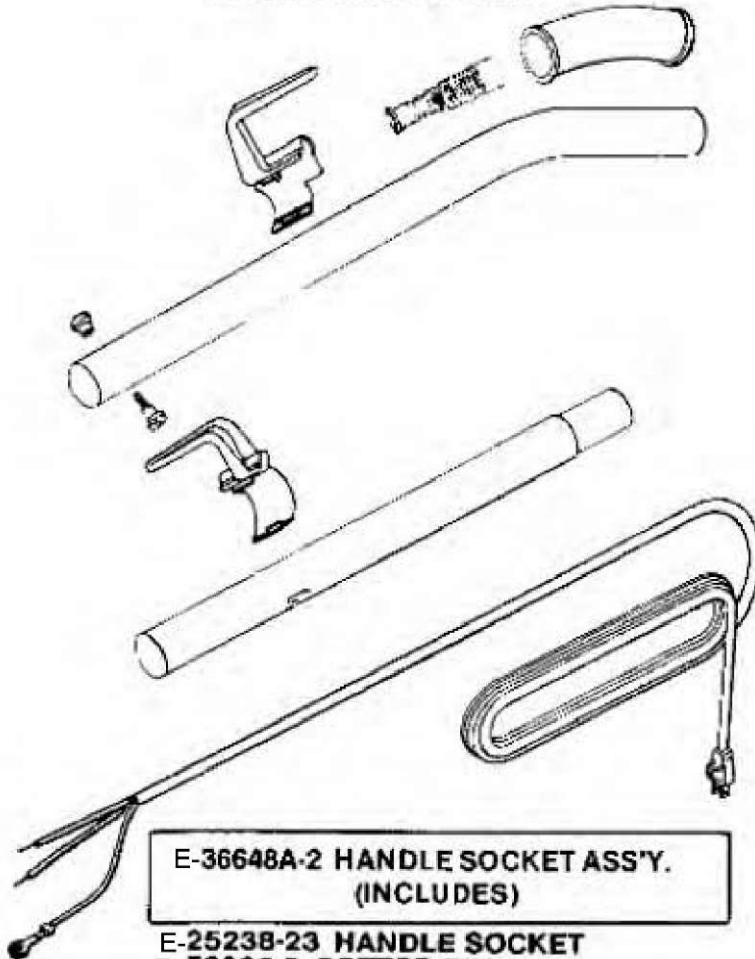
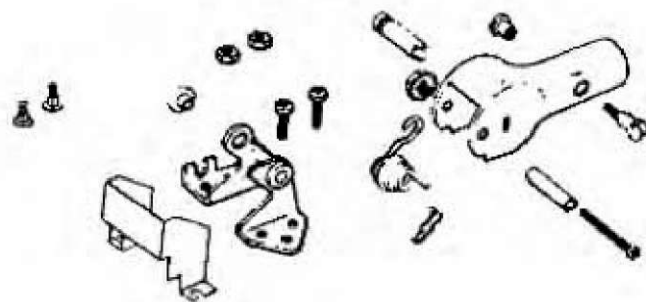


**E-53452-1 UPPER HANDLE ASS'Y. (INCLUDES)
E-35293-8 HANDLE GRIP**



**E-36648A-2 HANDLE SOCKET ASS'Y.
(INCLUDES)**

- E-25238-23 HANDLE SOCKET
- E-53232-2 COTTER PIN
- E-53833-3 KEPS NUT
- E-53099 SPACER
- E-53217-7 SCREW
- E-36649 SPRING
- E-41064F PIN
- E-36521A BRACKET ASS'Y.(INCLUDES)
- E-53098 BUSHING

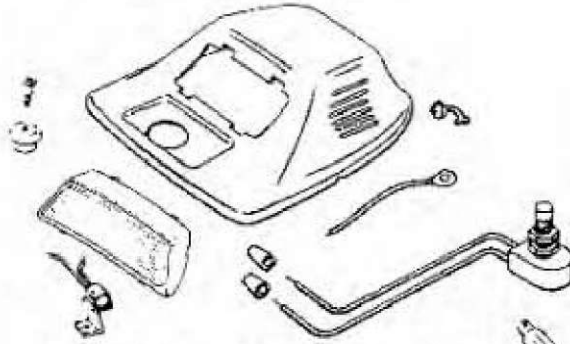


Handle Assembly - SC899D

Ref #	Part	Description	Comments	Qty
1	E-54095-1	SOCKET - HANDLE		
2	E-53452-1	HDLE ASSY-UPPER- (12636-5		
3	E-35293-8	GRIP - HANDLE		
4	E-36439	SHIELD - HANDLE SOCKET		
5	E-36521A	BRACKET & BUSHING ASSY		
6	E-36648A-2	HANDLE SOCKET ASSEMBLY		
7	E-36649	SPRING - HANDLE BALANCING		
8	E-41064F	PIN - HANDLE SUPPORT(41064G)		
9	E-52370-12	CORD & TERMINAL ASSY-FB-5		
10	E-53077	SPRING - STRAIN RELIEF PK		
11	E-53098	BUSHING - HANDLE BRACKET		
12	E-53099	SPACER - HANDLE SUPPORT (
13	E-53145	BOLT PACKAGE (10)		
14	E-53198-1	HANDLE SCREW ASSY PACKAGE		
15	E-53213-5	NUTS - PACKAGE 10		
16	E-53217-7	SCREWS - PACKAGE 10		
17	E-53232-2	COTTER PINS - PACKAGE 10		
18	E-53238-13	SCREW PACKAGE		
19	E-53574-1	RETNR PKG(UPPER&LOWER)BEIGE		
20	E-53833-3	LK NUT PKG/5PER (45474- (NLA)		
21	E-57751-1	TUBE - HANDLE (LOWER)		

Base & Hood - SC899D

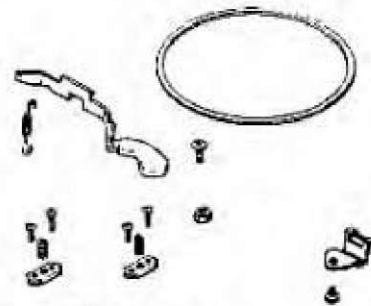
E-54096-1 HOOD & NAMEPLATE
36652 NAME PLATE
55754 DECAL



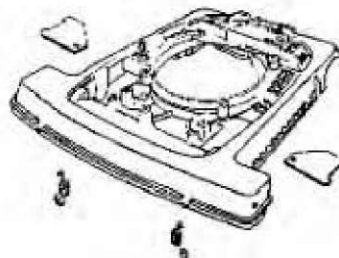
E-56379 AIR INLET DUCT ASS'Y. (R.H.)
49052-3 FOAM TAPE



E-56380 AIR INLET DUCT ASS'Y. (L.H.)
49052-3 FOAM TAPE



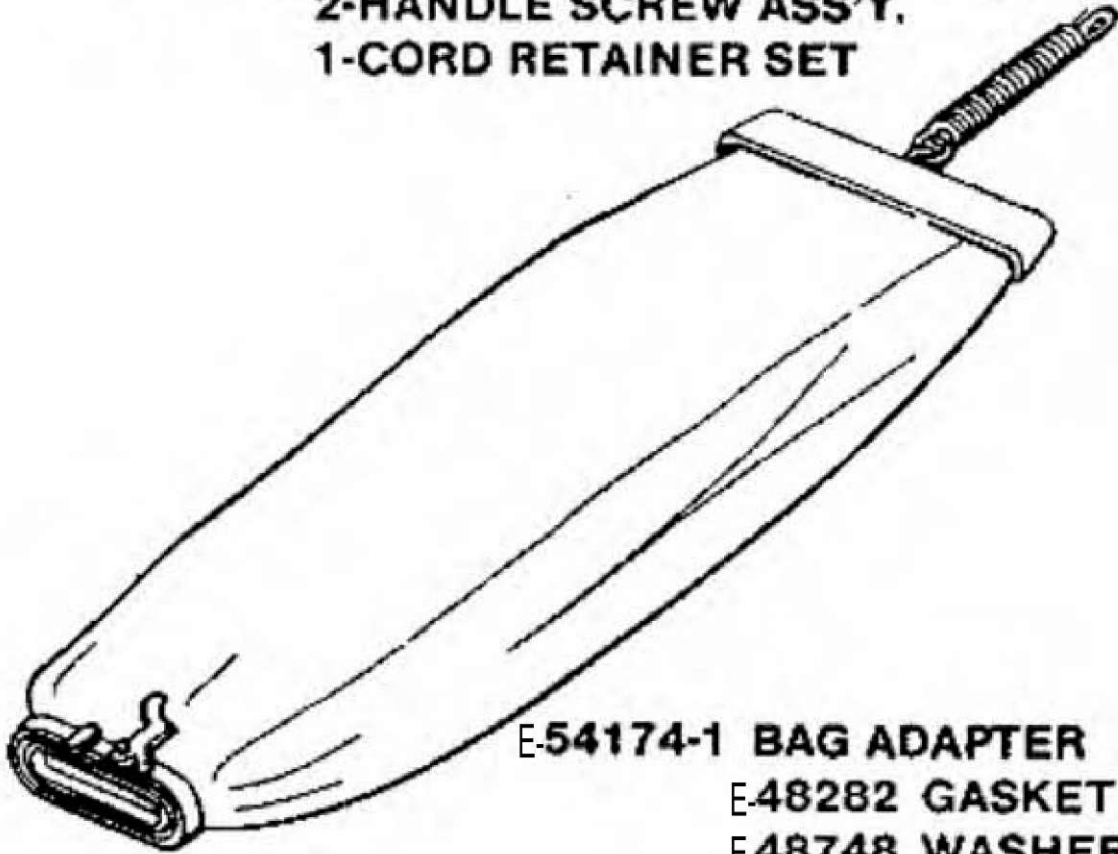
E-53500-3 BASE ASS'Y.
24964A CAM (R.H.)
24965A CAM (L.H.)
53118 RIVET-CAM
53133 WASHER



Base & Hood - SC899D

Ref #	Part	Description	Comments	Qty
1	E-12600-22	LENS - HOOD (USE 76290-1)		
2	E-24834A1	FOOT PEDAL		
3	E-24964A	CAM (RIGHT)		
4	E-24965A	CAM (LEFT)		
5	E-26833-1	KNOB ASSEMBLY		
6	E-30517	GASKET - MOTOR SEAL		
7	E-36263	COVER - WHEEL		
8	E-36409-13	SWITCH - PUSH		
9	E-37034	SPRING - ADAPT RETAINER		
10	E-37514	HEADLAMP SOCKET ASSEMBLY		
11	E-40009A	LAMP - HEADLIGHT		
12	E-49052-3	TAPE - FOAM		
13	E-53097	SPRING - FOOT PEDAL PKG (
14	E-53102	LOCKWASHER PACKAGE (10)		
15	E-53117	SPRING - HOOD PACKAGE (10		
16	E-53118	RIVET - SHOULDER PACKAGE		
17	E-53122	STRAIN RELIEF BUSHING - P		
18	E-53133	STL WASHERS-PKG (48495 (NLA)		
19	E-53140	CLAMP & SCREW ASSY PKG		
20	E-53143	SCREW PACKAGE (10)		
21	E-53160	CABLE CLAMP PACKAGE		
22	E-53213-4	NUTS - PACKAGE 10		
23	E-53214-1	WIRE NUTS/PKG 10		
24	E-53228-2	SCREWS - PACKAGE 10		
25	E-53238-11	SCREW PACKAGE		
26	E-53238-13	SCREW PACKAGE		
27	E-53500-3	BASE ASSEMBLY - CARTONED		
28	E-54096-1	HOOD & NAMEPLATE ASSY - P		
29	E-54173-1	WIRE ASSY (GROUNDING)		
30	E-54177	WIRE & TERMINAL ASSY		
31	E-54352-3	MOTOR ASSEMBLY - PACKAGED		
32	E-55446	NUT - HEX		
33	55754	DECAL (NLA)		

**E-49461A HARDWARE PACKAGE (INCLUDES)
2-HANDLE SCREW ASS'Y,
1-CORD RETAINER SET**

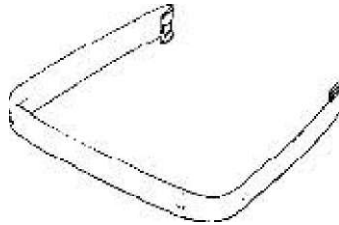


**E-54174-1 BAG ADAPTER
E-48282 GASKET
E-48748 WASHER**

HandleAssembly-SC899D

Ref #	Part	Description	Comments	Qty
1	E-30599D-10	CLIP - BAG		
2	E-47722	SPRING - BAG		
3	E-48282	GASKET - BAG ADAPTER		
4	E-48748	WASHER		
5	E-49461A	HARDWARE PKG-COMM UPRIGHT		
6	E-53354-3	BAG ASSY (SUB 54582-2)		
7	E-54174-1	ADAPTER - BAG		

Brushroll & Furniture Guard - SC899D

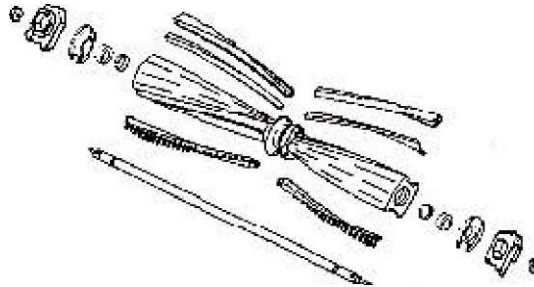


6
E-^Si-WHEEL & AXLE ASSY (INCLUDES)
F-5110 WHEEL WASHER
EJ6S4S-1 HAFT WHEEL

a f ®

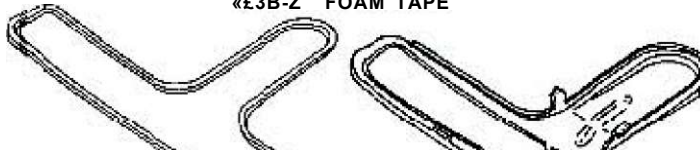
D

- E-
- 53153 LOCK NUT
 - E056SA CHSTURIBULATOH CAP
 - 357S&A COVER PLATE
 - iSt/UA DtAIth BAK |LUN(j)|
 - 3M65-1 fIEATBB BAR SuffOBT
 - zsetia BEATEH BAR (SHOUT;
 - 3Sf95-3 BEATER BAR SUPPORT
 - 33114 BEARING
 - 53T1S TOLERANCE RING
 - 39=17 SHAFT
 - SS3B4 BfifSTLESTftrPSrrS
CAP COVER



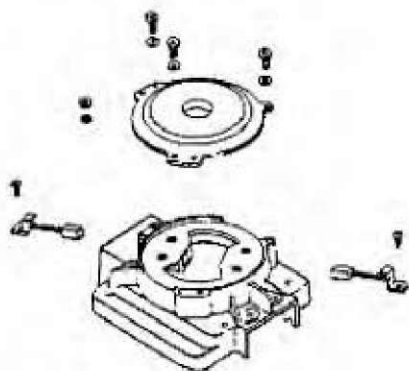
E

«£3B-Z FOAM TAPE

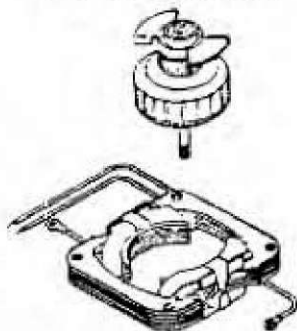


Brushroll & Furniture Guard - SC899D

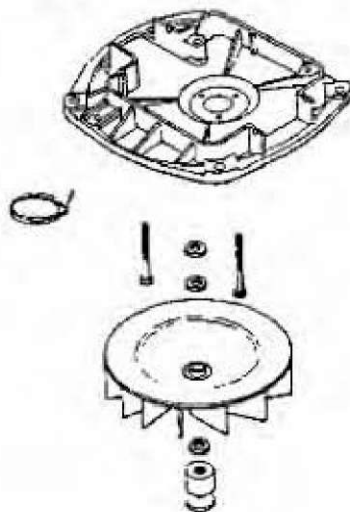
Ref #	Part	Description	Comments	Qty
1	E-25666	CLIP - FURNITURE GUARD		
2	E-25670A	BAR - BEATER (LONG)		
3	E-25671A	BAR - BEATER (SHORT)		
4	E-25672A	BOTTOM PLATE ASSEMBLY		
5	E-26058A	CAP - DISTURBULATOR		
6	E-26059A	CAP - COVER		
7	E-26242-1	REAR WHEEL use 26242-119N		
8	E-26296-10	GUARD - FURNITURE		
9	E-35728A	PLATE - COVER		
10	E-35859A-1	WHEEL - FRONT		
11	E-35895-3	SUPPORT - BEATER BAR		
12	E-35895-4	SUPPORT - BEATER BAR		
13	E-35947A	AXLE - FRONT		
14	E-36517	SHAFT - DISTURBULATOR		
15	E-37183	AXLE - REAR		
16	E-37234-1	WHEEL & AXLE ASSY		
17	E-46538-2	TAPE - FOAM		
18	E-52264	BRISTLE STRIP SET		
19	E-53076-2	SPRING & AXLE PACKAGE (6)		
20	E-53110	WASHER - WHEEL PACKAGE (1)		
21	E-53114	BEARING - DISTURBULATOR P		
22	E-53115	PACKAGE - TOLERANCE RING		
23	E-53121	PUSH NUT PACKAGE (10)		
24	E-53158	LOCK NUT PACKAGE		
25	E-53201	AXLE CLAMP - PACKAGED		
26	E-53238-10	SCREW PACKAGE		
27	E-53238-11	SCREW PACKAGE		
28	E-53273	DISTURBULATOR ASSEMBLY		



E-54395-4 ARMATURE & FAN ASS'Y.
E-30474A FAN



E-54169-1 MOTOR BASE ASS'Y.
E-42875 BEARING & RETAINER
E-53088-1 BEARING
E-53187-1 RIVET



Motor -SC899D

Ref #	Part	Description	Comments	Qty
1	E-12988	FAN BLOWER - MOTOR		
2	E-20217E	RETAINER - UPPER BEARING		
3	E-30474A	FAN - MOTOR COOLING		
4	E-30478	MOTOR BRUSH ASSEMBLY		
5	E-37012-2	PULLEY - MOTOR DRIVE		
6	E-42875	BEARING RETAINER ASSY-W/L		
7	E-53088-1	BALL BEARING - PACKAGE		
8	E-53138	SCREWS - PACKAGE 10		
9	E-53142	SCREW PACKAGE (10)		
10	E-53148	WASHER - FAN PACKAGE (10)		
11	E-53187-1	RIVET PACKAGE		
12	E-53188-1	WASHER PACKAGE		
13	E-53213-4	NUTS - PACKAGE 10		
14	E-53219-2	SCREWS - PACKAGE 10		
15	E-53222-3	LOCKWASHERS- PACKAGE 10		
16	E-53441-2	FIELD ASSEMBLY - PACKAGED		
17	E-54169-1	MOTOR BASE ASSEMBLY		
18	E-54395-4	ARMATURE, FAN & BRG ASSY-		
19	E-54396	MOTOR COVER ASSEMBLY - LA		
20	E-56802-2	TIE - CABLE (PURCHASED)		