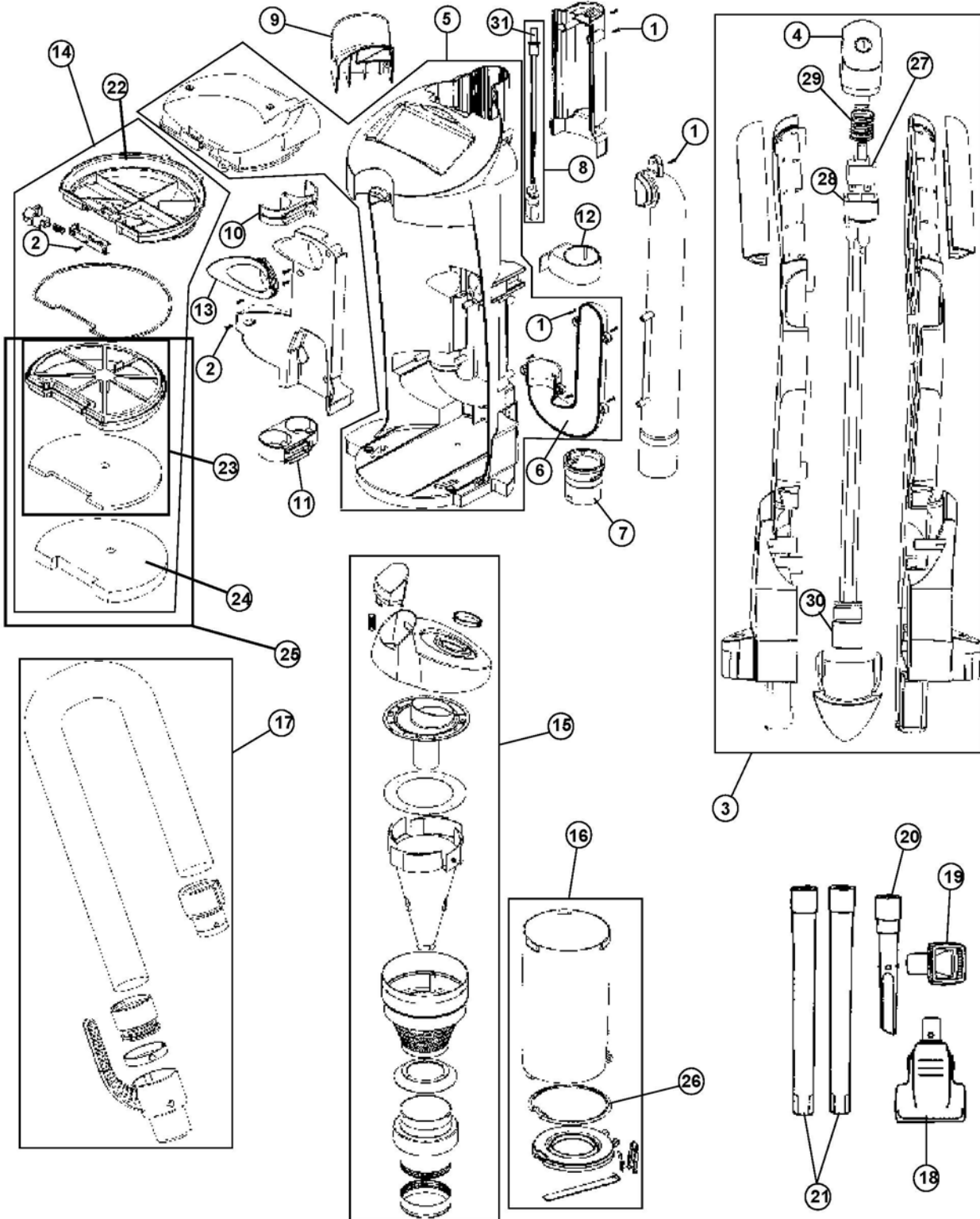




ASSEMBLY SCHEMATIC



U5780-900
U5781-900
UH70035
UH70085



PART LISTING

ITEM	PART NUMBER	MODELS TO FIT	PART DESCRIPTION
1	93001840	ALL	BODY SCREW 4.2 X 16 AND HANDLE SCREWS
2	18381522	ALL	SCREW 3.5 X 12
3	21150100	U5780900, U5781900, UH70085	HANDLE ASSEMBLY - SATIN RED METALLIC
		UH70035	HANDLE ASSEMBLY - SILVER METALLIC
4	26211370	ALL	SWITCH BUTTON - CHROME
5	20144227	U5780900, U5781900, UH70085	MAIN HOUSING ASSEMBLY - SATIN RED METALLIC
		UH70035	MAIN HOUSING ASSEMBLY - SILVER METALLIC
6	11041043	ALL	AIR DUCT COVER
7	11041044	ALL	AIR DUCT COVER ADAPTOR
8	26401317	ALL	WIRING CONNECTOR ASSEMBLY
9	11041055	U5780900, U5781900, UH70085	UPPER HOSE HOLDER - SATIN RED METALLIC
		UH70035	UPPER HOSE HOLDER - SILVER METALLIC
10	11041053	U5780900, U5781900, UH70085	UPPER TUBE HOLDER - SATIN RED METALLIC
		UH70035	UPPER TUBE HOLDER - SILVER METALLIC
11	11041052	U5780900, U5781900, UH70085	LOWER TUBE HOLDER - SATIN RED METALLIC
		UH70035	LOWER TUBE HOLDER - SILVER METALLIC
12	11041065	U5780900, U5781900, UH70085	TURBINE POWER HAND TOOL HOLDER - SATIN RED METALLIC
		UH70035	TURBINE POWER HAND TOOL HOLDER - SILVER METALLIC
13	11041105	ALL	AIR INLET SEAL - DIRT CUP
14	40462125	ALL	COMPLETE SECONDARY FILTER ASSEMBLY WITH BOTTOM FILTER COVER
15	40108212	U5780900, U5781900, UH70085	DIRT CUP LID AND FILTER ASSEMBLY - SATIN RED METALLIC
		UH70035	DIRT CUP LID AND FILTER ASSEMBLY - SILVER METALLIC
16	22150200	ALL	DIRT CUP ASSEMBLY
17	23986900	ALL	UPPER HOSE ASSEMBLY
	93002362	ALL	BONUS HOSE - OPTIONAL
18	15811012	ALL	TURBINE POWER HAND TOOL
	48414088	ALL	BRUSH ROLL - TURBINE POWER HAND TOOL
	38528037	ALL	BELT - TURBINE POWER HAND TOOL
19	15810030	ALL	FURNITURE BRUSH

U5780-900

U5781-900

UH70035

UH70085



PART LISTING

ITEM	PART NUMBER	MODELS TO FIT	PART DESCRIPTION
20	15804217	ALL	CREVICE TOOL
21	12640720	ALL	EXTENSION WAND
22	93002499	ALL	BOTTOM COVER - SECONDARY FILTER
23	93002517	ALL	SECONDARY FILTER ASSEMBLY - ORDER #25 / 40110012
24	93002518	ALL	SECONDARY FOAM FILTER
25	40110012	ALL	SECONDARY FILTER WITH FOAM FILTER
26	93002437	ALL	GASKET - DIRT CUP DOOR
27	93001705	ALL	SWITCH
28	93001703	ALL	SWITCH HOLDER
29	93001706	ALL	SWITCH SPRING
30	93001700	ALL	MALE CONNECTOR
31	93001717	ALL	FEMALE CONNECTOR

U5780-900

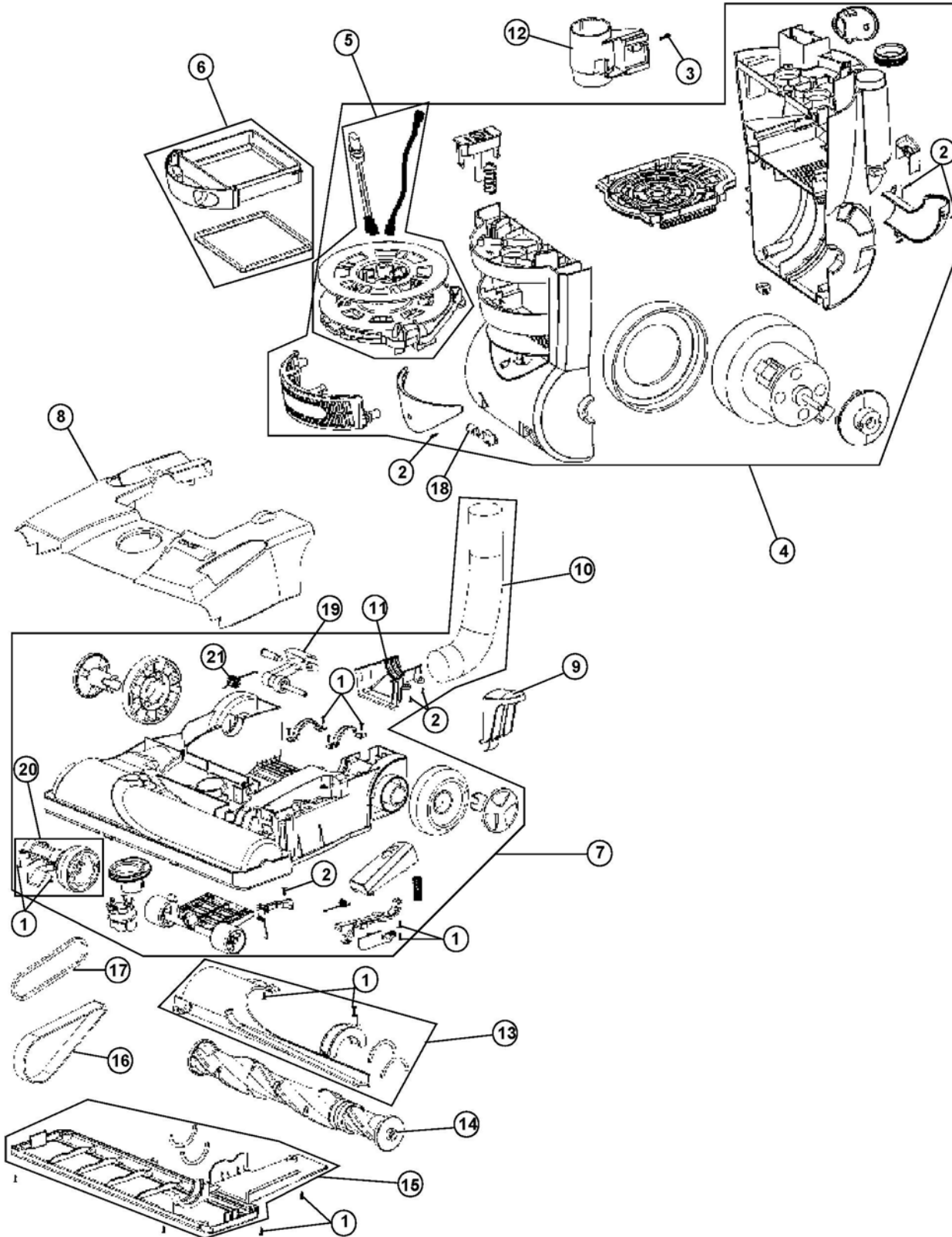
U5781-900

UH70035

UH70085



ASSEMBLY SCHEMATIC



U5780-900

U5781-900

UH70035

UH70085

PART LISTING

ITEM	PART NUMBER	MODELS TO FIT	PART DESCRIPTION
1	93001840	ALL	BODY SCREW 4.2 X 16
2	18381522	ALL	SCREW 3.5 X 12
3	18147152	ALL	SCREW 4.2 X 25 - LOWER HOSE HOLDER
4	21040104	U5780900, U5781900, UH70085	MOTOR AND HOUSING ASSEMBLY WITH CORD REEL
		UH70035	MOTOR AND HOUSING ASSEMBLY WITH CORD REEL
5	93002478	ALL	CORD REEL ASSEMBLY
6	21041096	ALL	EXHAUST HEPA FILTER
	93002360	ALL	EXHAUST HEPA FILTER - SUB
7	21151010	U5780900, U5781900	NOZZLE BASE ASSEMBLY MFG PRIOR TO 9/2007
	21151009	ALL	NOZZLE BASE ASSEMBLY - REVISED MFG 9/2007 AND NEWER
8	10134227	U5780900, U5781900, UH70085	NOZZLE HOOD COVER - SATIN RED METALLIC
		UH70035	NOZZLE HOOD COVER - SILVER METALLIC
9	SEE NOTES	U5780900, U5781900	HANDLE RELEASE PEDAL - BLACK
	11041024	ALL	HANDLE RELEASE PEDAL - REVISED BLACK
10	13102101	ALL	LOWER HOSE
11	11041029	ALL	LOWER HOSE COVER
12	11041030	ALL	LOWER HOSE HOLDER
13	11137020	ALL	BRUSH ROLL DUCT
14	59156548	ALL	BRUSH ROLL ASSEMBLY
15	21041028	ALL	NOZZLE GUARD ASSEMBLY
16	11041084	ALL	FLAT BELT
	38528035	ALL	FLAT BELT - SUB
17	40201200	ALL	V-BELT
18	27313107	ALL	LIGHT BULB
19	93005300	ALL	IDLER ARM ASSEMBLY
20	93005400	ALL	PULLEY ASSEMBLY
21	93002447	ALL	SPRING - IDLER ASSEMBLY

U5780-900

U5781-900

UH70035

UH70085

**IF YOU HAVE A MODEL U5780-900 THAT WAS MFG PRIOR TO 9/2007 AND YOU NEED TO REPLACE THE HANDLE RELEASE PEDAL, YOU NEED TO ORDER THE FOLLOWING:

21151009 - FOOT / NOZZLE BASE ASSEMBLY

11041024 - HANDLE RELEASE PEDAL

THIS WILL UPDATE THE UNIT TO REFLECT A REVISION / NEW DESIGN OF THE HANDLE RELEASE PEDAL. THE NEW DESIGN HANDLE RELEASE PEDAL WILL NOT WORK IN AN EARLY DESIGN FOOT NOZZLE BASE.