

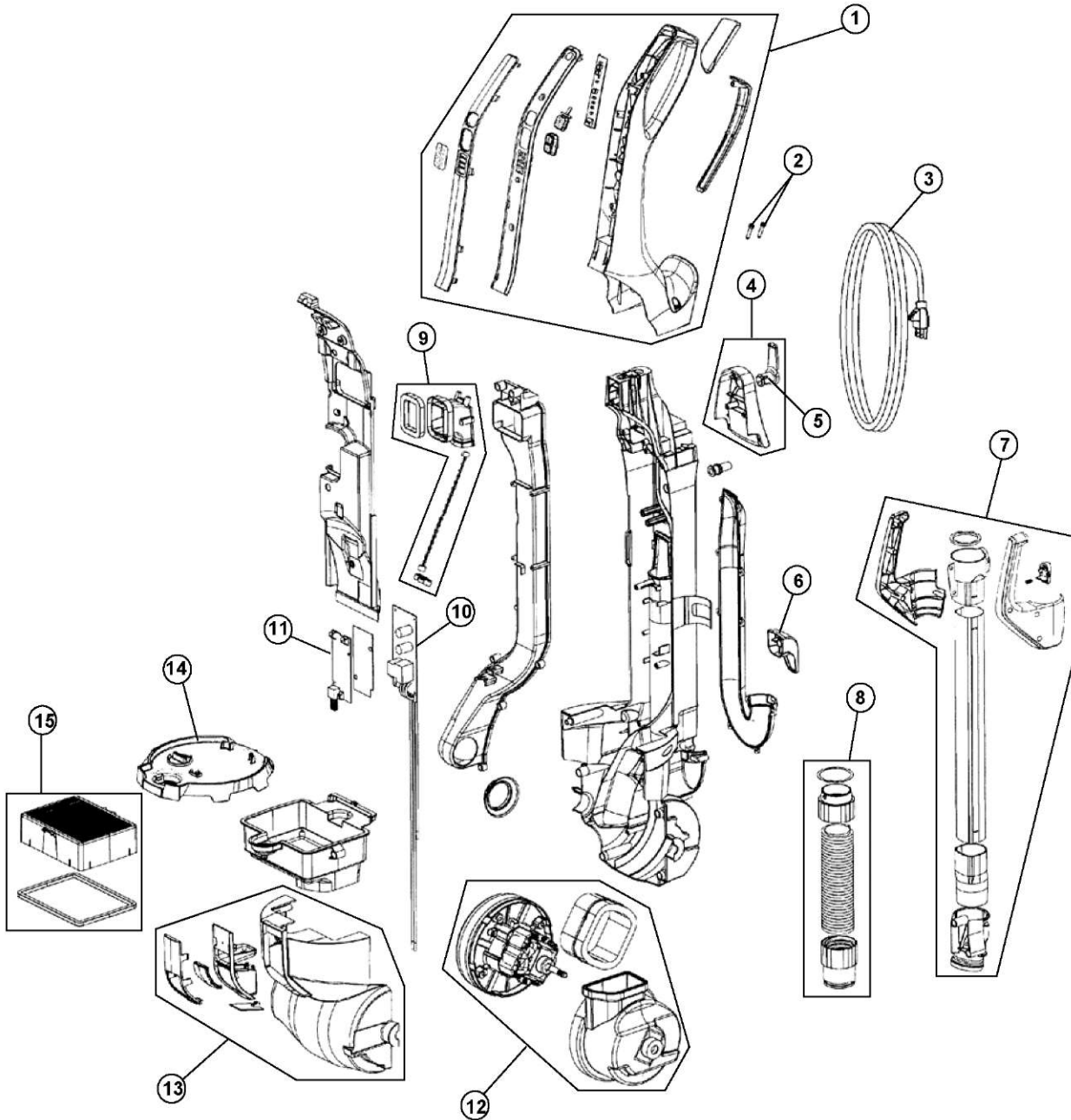


PLATINUM
Collection

CYCLONIC
BAGLESS
UPRIGHT

ASSEMBLY SCHEMATIC

UH70010
UH70015





PLATINUM
Collection

CYCLONIC
BAGLESS
UPRIGHT

PART LISTING

ITEM	PART NUMBER	MODELS TO FIT	PART DESCRIPTION
1	h-48663249	UH70010, UH70015	HANDLE ASSEMBLY
2	H-21447236	UH70010, UH70015	HANDLE SCREW
3	h-46383365	UH70010, UH70015	POWER CORD - 40'
4	H-48664005	UH70010, UH70015	CARRY HANDLE ASSEMBLY
5	H-39442056	UH70010, UH70015	UPPER CORD WRAP
6	H-39442059	UH70010, UH70015	LOWER CORD WRAP
7	H-48642104	UH70010, UH70015	WAND ASSEMBLY
8	H-43434279	UH70010, UH70015	HOSE ASSEMBLY
9	H-48511008	UH70010, UH70015	INLET DUCT WITH MICROPHONE BRACKET IF NON EDF VERSION IS NEEDED, THIS IS TO BE ORDERED AND MICROPHONE CAN BE REMOVED
10	H-46851078	UH70010, UH70015	POWER PCB BOARD ASSEMBLY
11	H-46851079	UH70010, UH70015	SINGLE PCB BOARD ASSEMBLY
12	H-43576229	UH70010, UH70015	MOTOR ASSEMBLY WITH SHROUD
13	H-42191018	UH70010, UH70015	MOTOR COVER ASSEMBLY
14	H-37257327	UH70010, UH70015	EXHAUST FILTER COVER ASSEMBLY
15	H-38765035	UH70010, UH70015	HEPA FILTER
	H-21447242	UH70010, UH70015	BODY SCREW # 8 - 10 x .625" - SELF TAPPING
	H-21447526	UH70010, UH70015	SCREW # 4 - 10 x .500" - SELF TAPPING USED: WAND ASSEMBLY; CLEAN AIR DUCT / MICROPHONE
	H-21447527	UH70010, UH70015	SCREW # 6 - 10 x .750" - SELF TAPPING USED: BACK PANEL; J-TUBE; CLEAN AIR DUCT

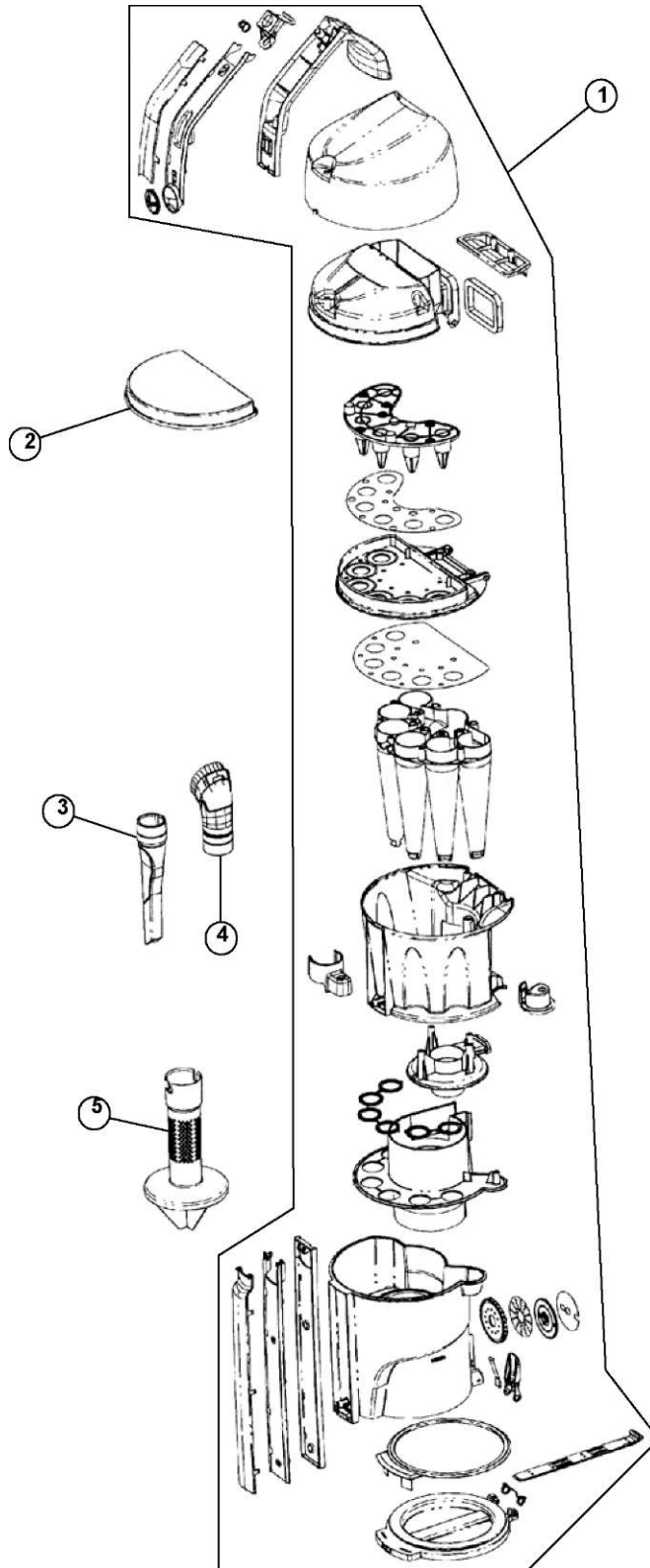
UH70010
UH70015



PLATINUM
Collection

CYCLONIC
BAGLESS
UPRIGHT

ASSEMBLY SCHEMATIC



UH70010
UH70015



PLATINUM
Collection

CYCLONIC
BAGLESS
UPRIGHT

PART LISTING

ITEM	PART NUMBER	MODELS TO FIT	PART DESCRIPTION
1	H-43645063	UH70010, UH70015	COMPLETE DIRT CUP ASSEMBLY
2	H-43615096	UH70010, UH70015	DIRT CUP FILTER
3	H-38617035	UH70010, UH70015	CREVICE TOOL
4	H-38614049	UH70010, UH70015	FURNITURE TOOL ASSEMBLY
5	H-38768050	UH70010, UH70015	UMBRELLA TUBE - DIRT CUP

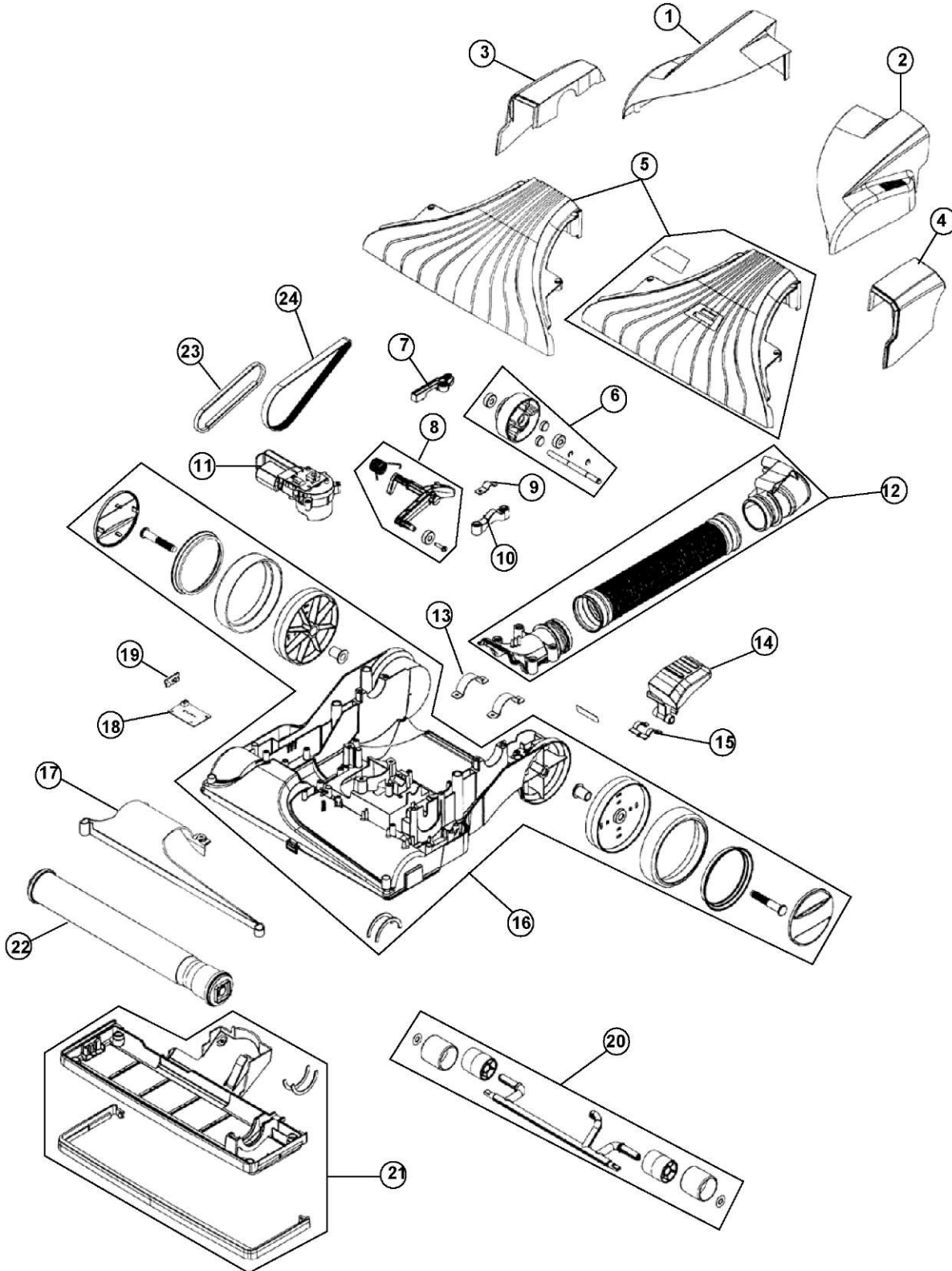
UH70010
UH70015



PLATINUM
Collection

CYCLONIC
BAGLESS
UPRIGHT

ASSEMBLY SCHEMATIC



UH70010
UH70015



PLATINUM
Collection

CYCLONIC
BAGLESS
UPRIGHT

PART LISTING

ITEM	PART NUMBER	MODELS TO FIT	PART DESCRIPTION
1	H-37252123	UH70010, UH70015	HOOD - RIGHT
2	H-37252122	UH70010, UH70015	HOOD - LEFT
3	H-36131163	UH70010, UH70015	TRUNNION COVER - RIGHT
4	H-36131164	UH70010, UH70015	TRUNNION COVER - LEFT
5	H-37243073	UH70010	HOOD - CENTER NON-EDF
	H-42252B80	UH70015	HOOD - CENTER W/EDF LABEL
6	H-43256008	UH70010, UH70015	TRANSFER PULLEY ASSEMBLY
7	H-36171068	UH70010, UH70015	TRANSFER PULLEY CLAMP
8	H-43151026	UH70010, UH70015	IDLER ARM ASSEMBLY
9	H-36171058	UH70010, UH70015	ACTUATOR ARM TRUNNION
10	H-36172061	UH70010, UH70015	IDLER ARM CLAMP
11	H-27271005	UH70010, UH70015	HEIGHT ADJUSTMENT MOTOR ASSEMBLY
12	H-43434280	UH70010, UH70015	LOWER HOSE ASSEMBLY
13	H-36171069	UH70010, UH70015	PIVOT CLAMP
14	H-38434049	UH70010, UH70015	HANDLE RELEASE PEDAL
15	H-36436029	UH70010, UH70015	HANDLE RELEASE PEDAL CLAMP
16	H-42246154	UH70010, UH70015	NOZZLE BASE ASSEMBLY WITH WHEELS
17	H-37243072	UH70010, UH70015	NOZZLE LINER
18	H-46851081	UH70015	EDF PCB ASSEMBLY
19	H-46851082	UH70010, UH70015	PCB HALL ASSEMBLY
20	H-43248074	UH70010, UH70015	FRONT WHEEL ASSEMBLY
21	H-42246152	UH70010, UH70015	BOTTOM PLATE / NOZZLE GUARD
22	H-48414156	UH70010, UH70015	AGITATOR / BRUSH ROLL ASSEMBLY
23	H-38528034	UH70010, UH70015	V - BELT AGITATOR / BRUSH ROLL
24	H-38528050	UH70010, UH70015	POLY V - BELT PULLEY
	H-21447242	UH70010, UH70015	BODY SCREW # 8 -10 X .625" - SELF TAPPING
	H-21447121	UH70010, UH70015	SCREW # 8 - 10 X 1.625" - SELF TAPPING USED: NOZZLE

UH70010
UH70015